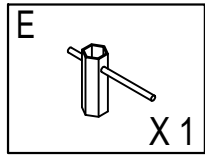
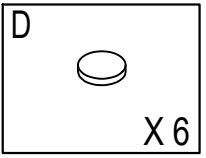
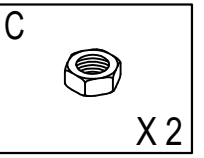
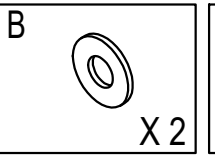
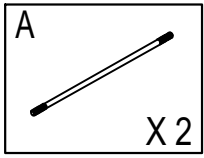
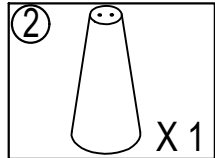
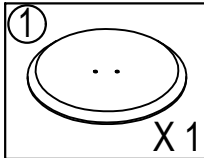
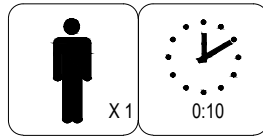
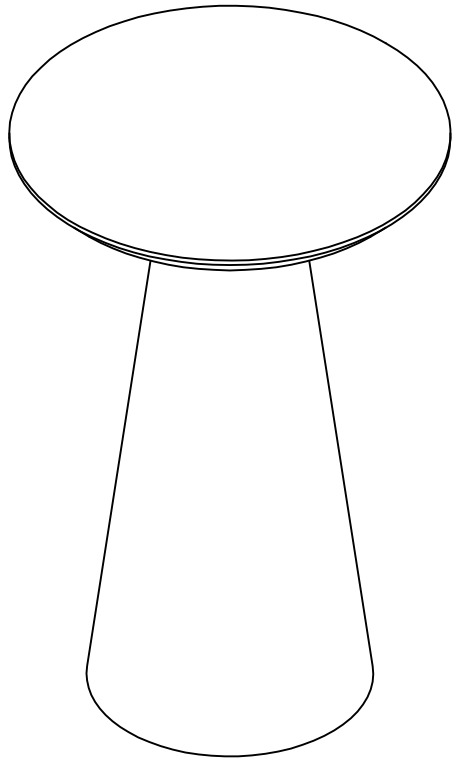
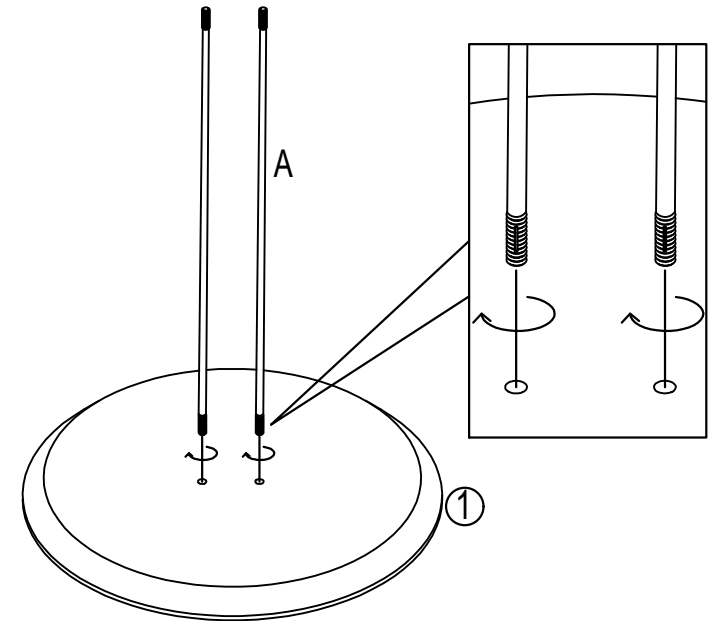


ASSEMBLY INSTRUCTIONS

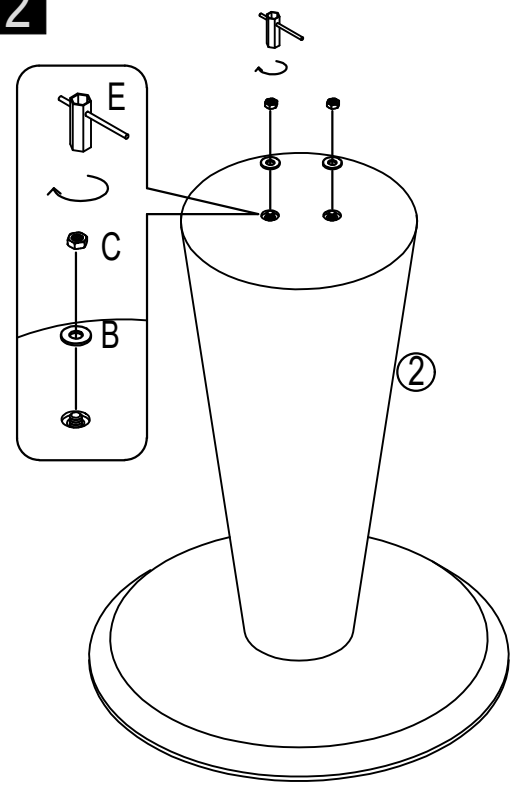
DINING TABLE MODEL#: ACTM2104



1



2



3

