



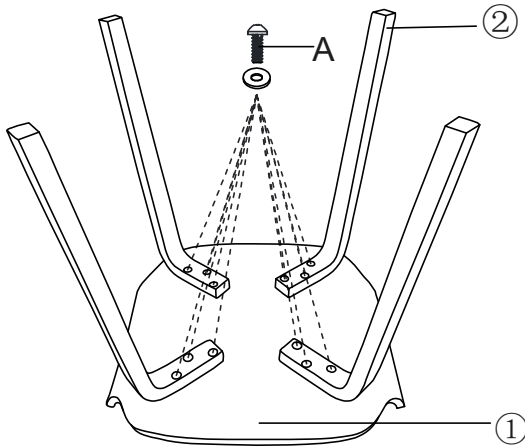
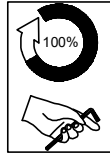


Assembly Instruction

①*1pc		A*12+1EXT	 M6*25MM+M6*14*1MM
②*4pcs		G*1	 M6

STEP 1



STEP 2

