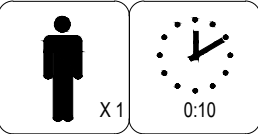
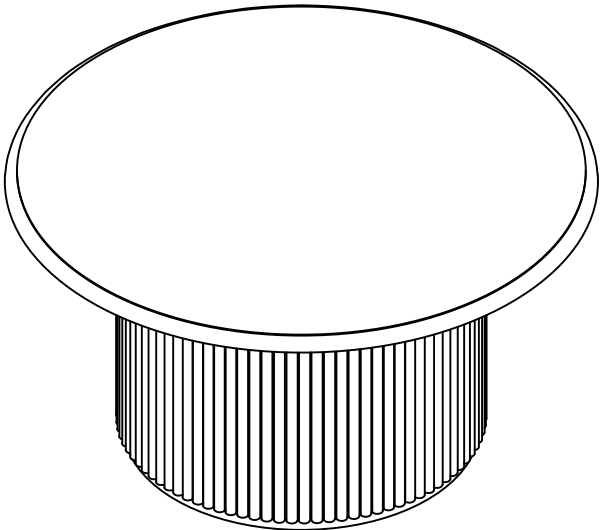




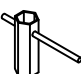




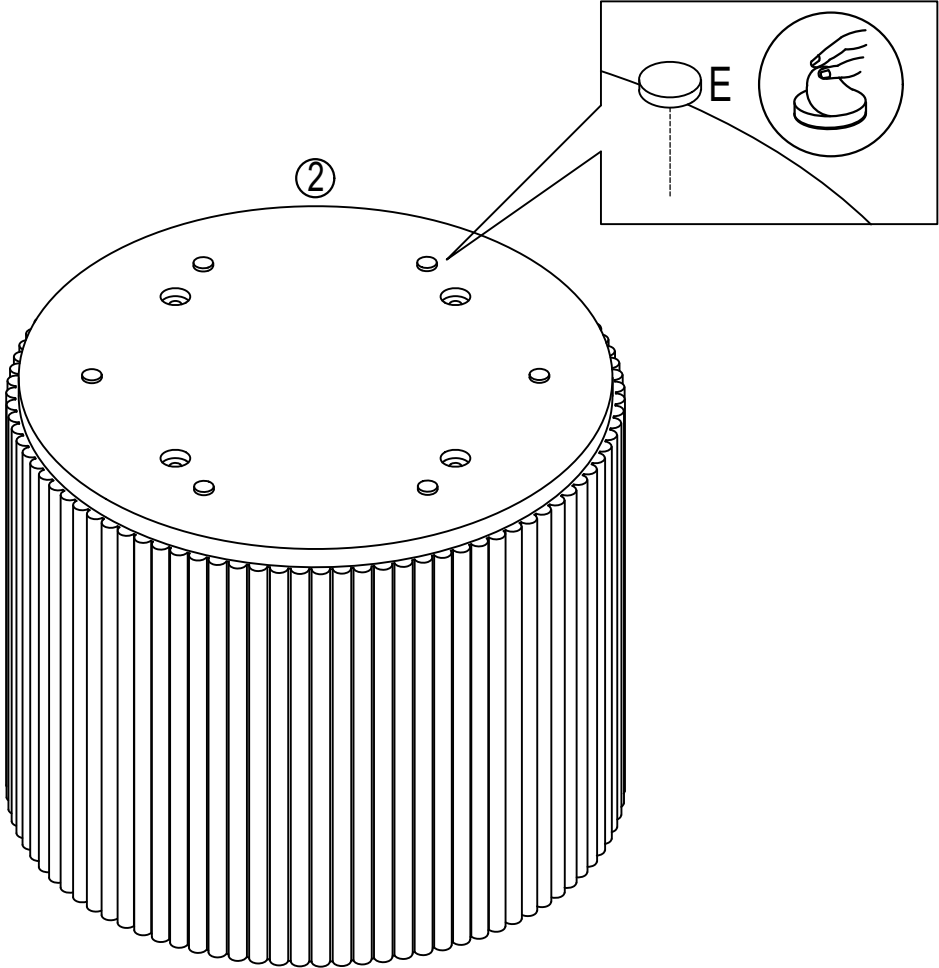
ASSEMBLY INSTRUCTIONS

DINING TABLE MODEL#: UCT23042

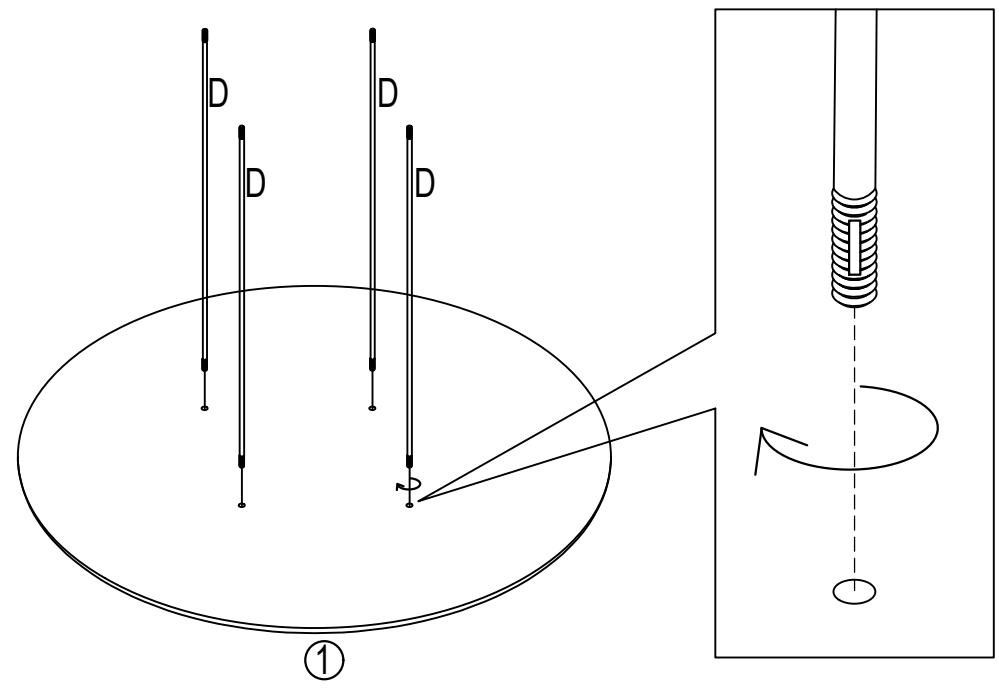


①  X 1	②  X 1			
A  X 4	B  X 4	C  X 1	D  X 4	E  X 6

1



2



3

