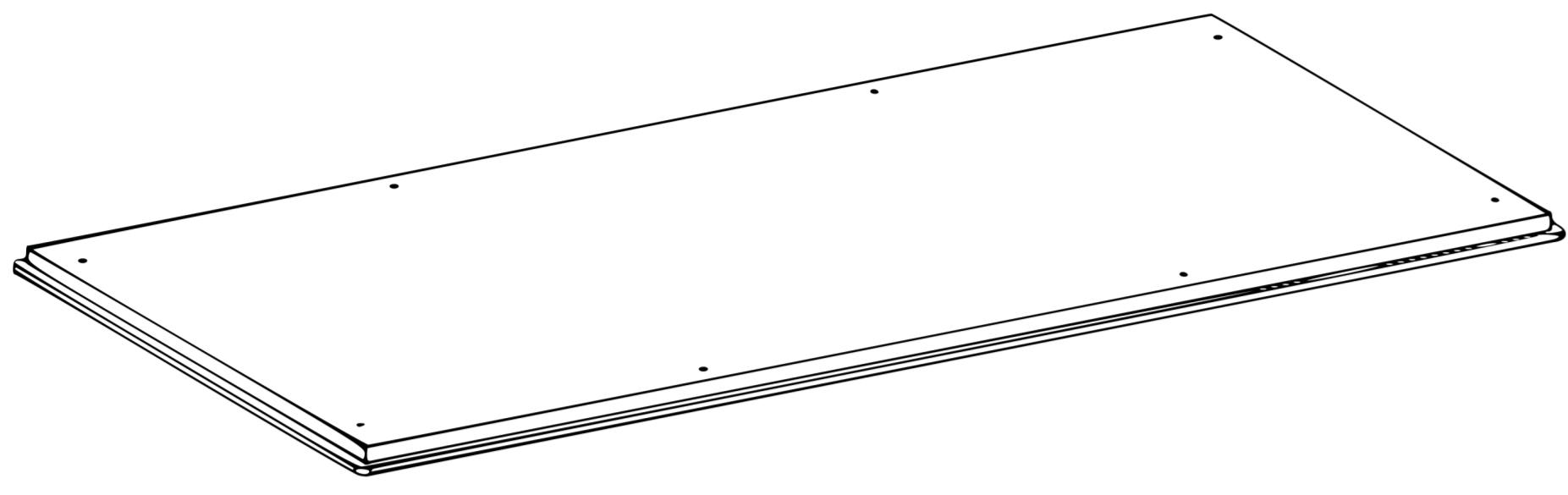


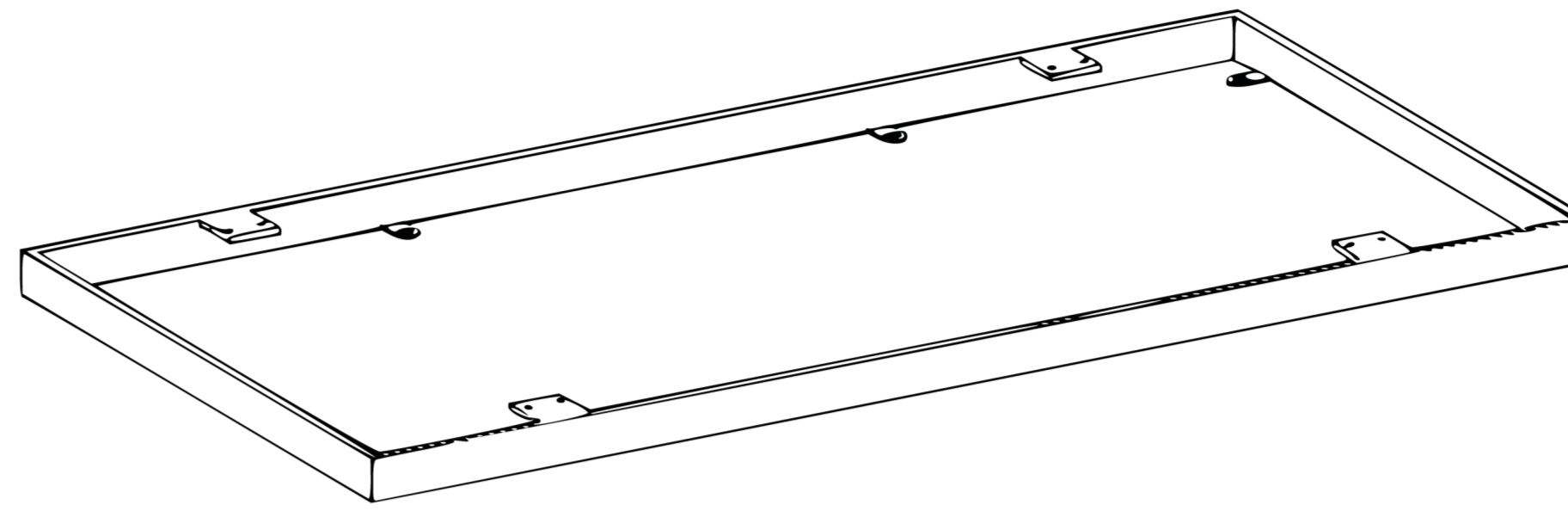
ASSEMBLY INSTRUCTION

COFFEE TABLE

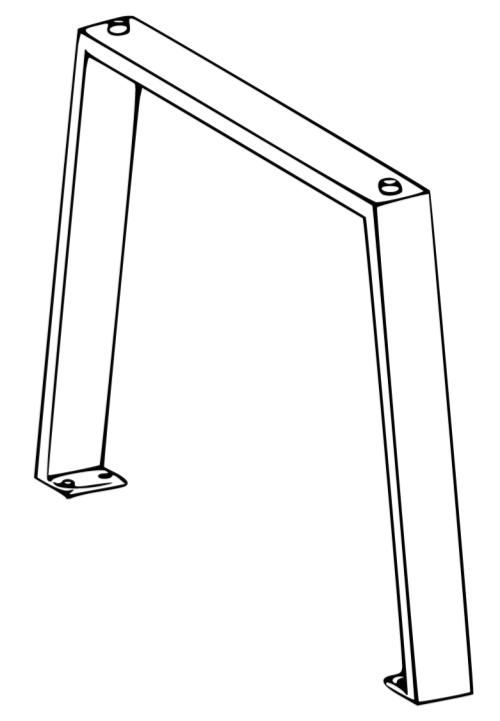
1-1x



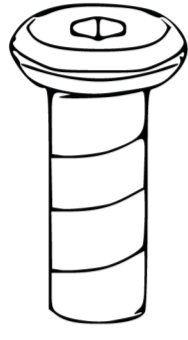
2-1x



3-2x



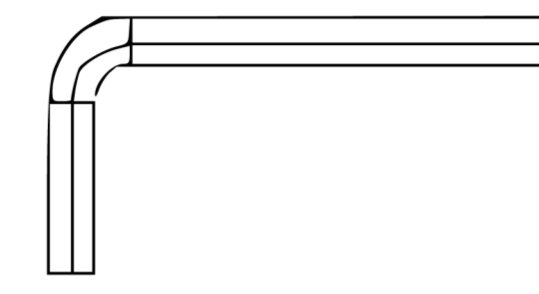
A-16x



B-16x

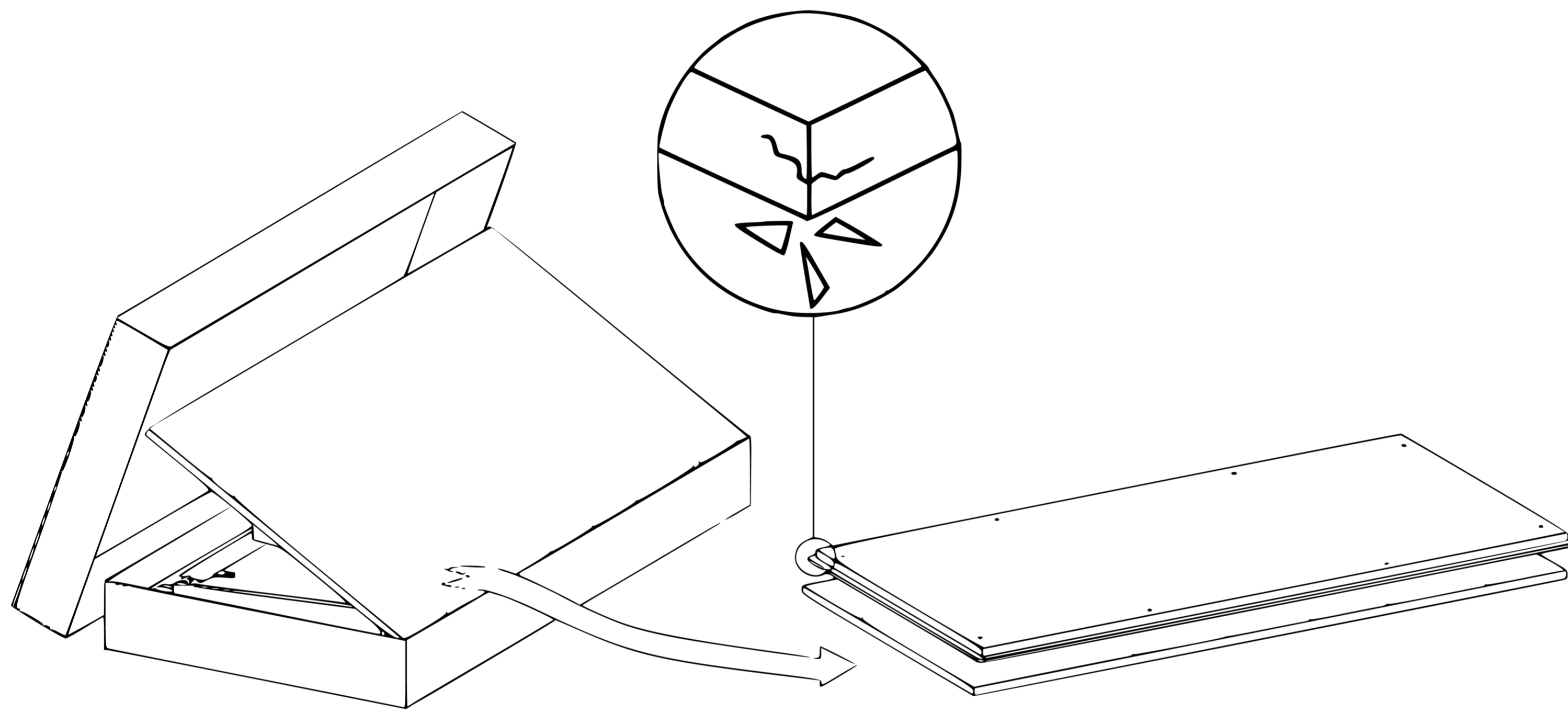


C-1x

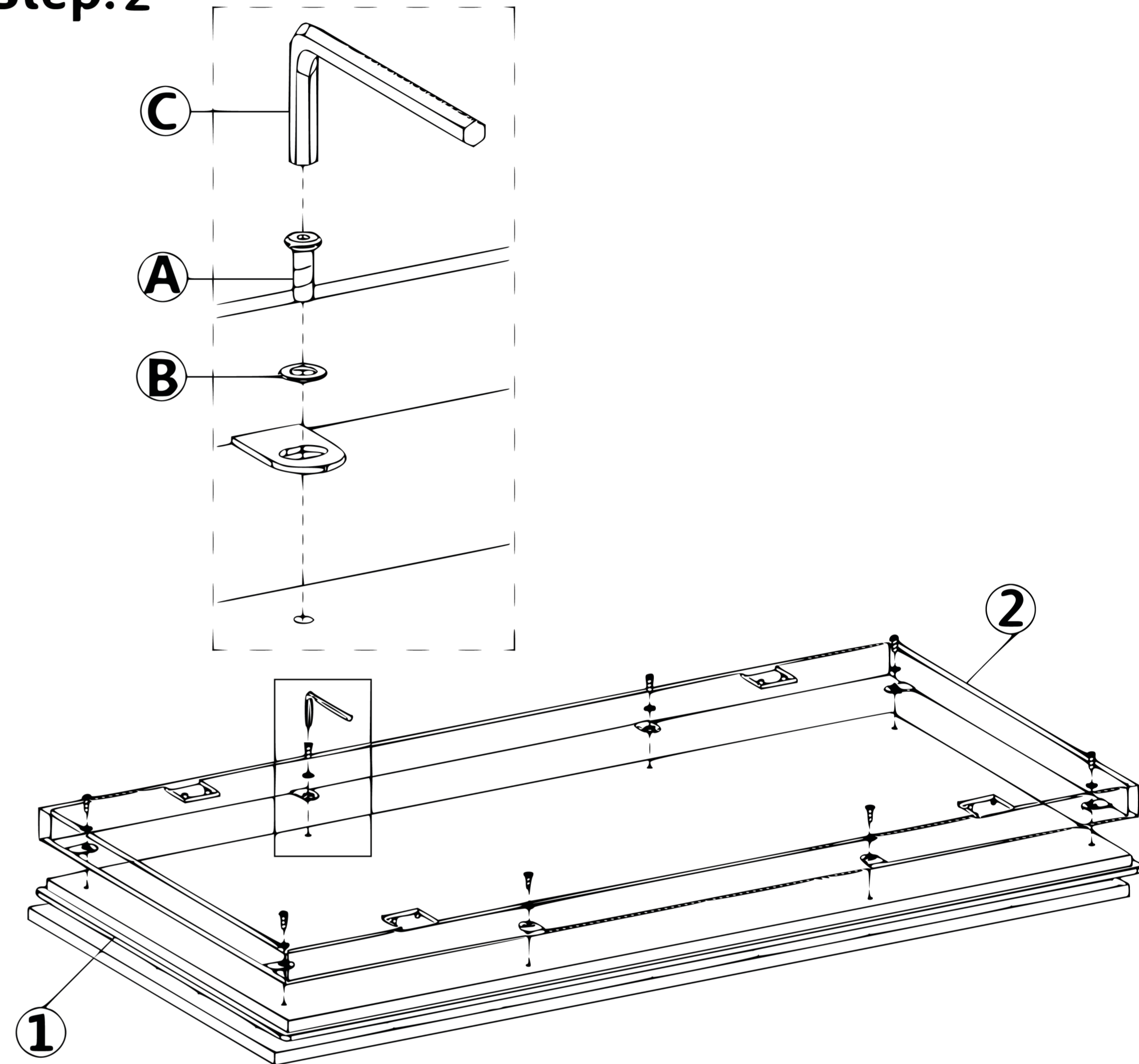


Step:1

To avoid scratches or damages, please put table top on the white foam sheet for assembly works. Avoid knocking on corners or edges.



Step:2



Step:3

Please keep all screws loose and tighten TOGETHER after all parts are assembled to the correct positions.

