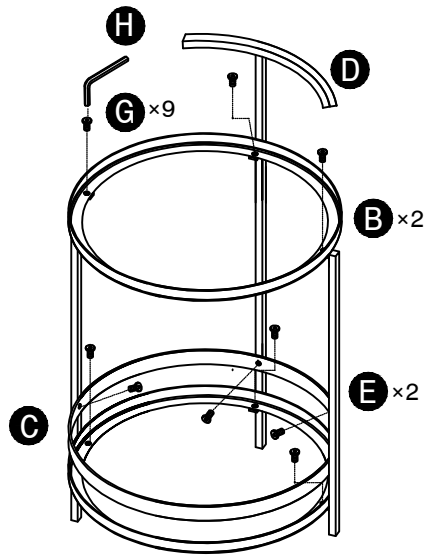
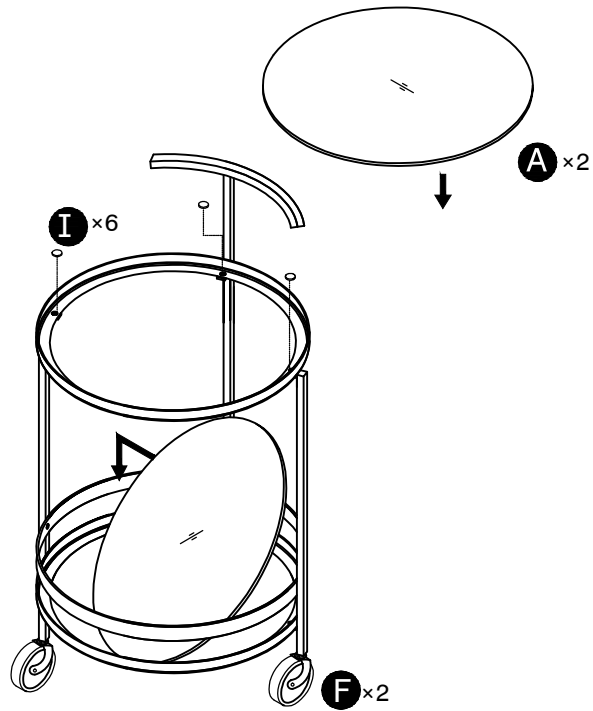


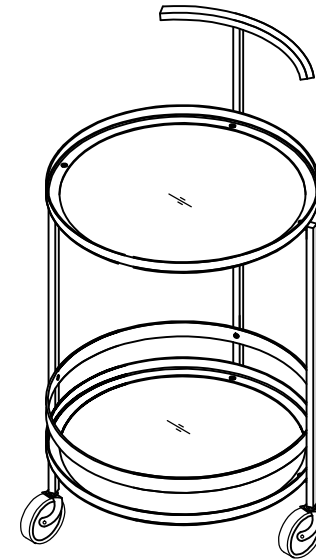
Step 1



Step 2



Step 3



A 2 pcs	B 2 pcs	C 1 pcs	D 1 pcs	E 2 pcs	F 2 pcs	G 9 pcs	H 1 pcs	I 6 pcs	J 1 pcs
-----------------------	-----------------------	-----------------------	-----------------------	-----------------------	-----------------------	-----------------------	-----------------------	-----------------------	-----------------------