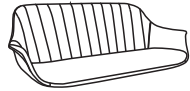








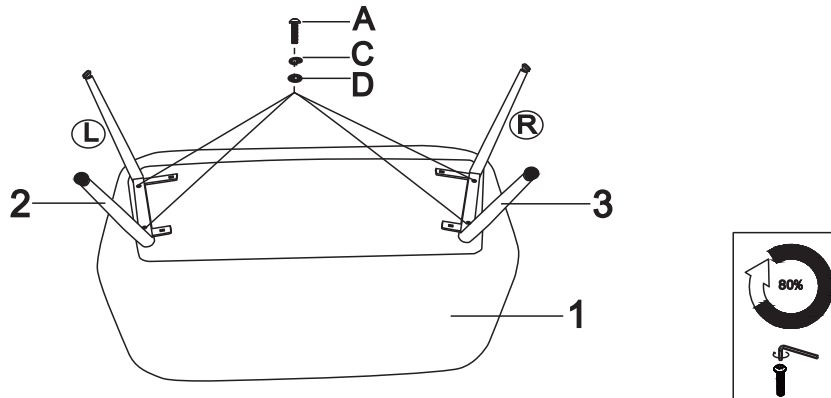


Assembly Instruction

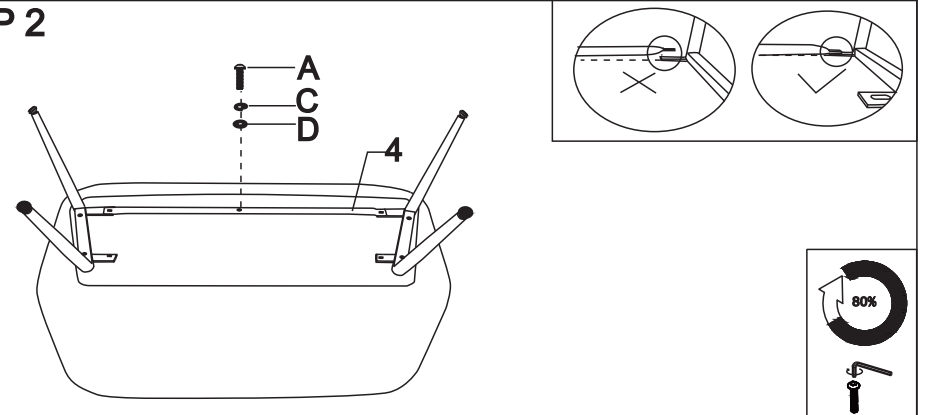
ITEM NO:JY9005

1*1		A*5+1EXT	 M6*40MM
2*1		B*4+1EXT	 M6*27MM
3*1		C*9+1EXT	 M6
4*1		D*9+1EXT	 φ 18MM
		E*1	 M6

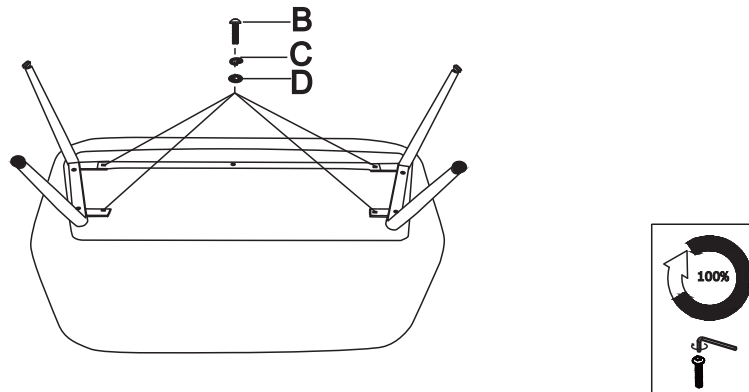
STEP 1



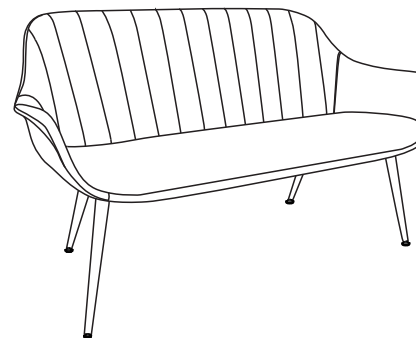
STEP 2



STEP 3



STEP 4



MOTE:
step1 and step2 screw up to 80%.
Step3 screw up and tighten all the
screws . if the foot is shaken,adjust
the pin.