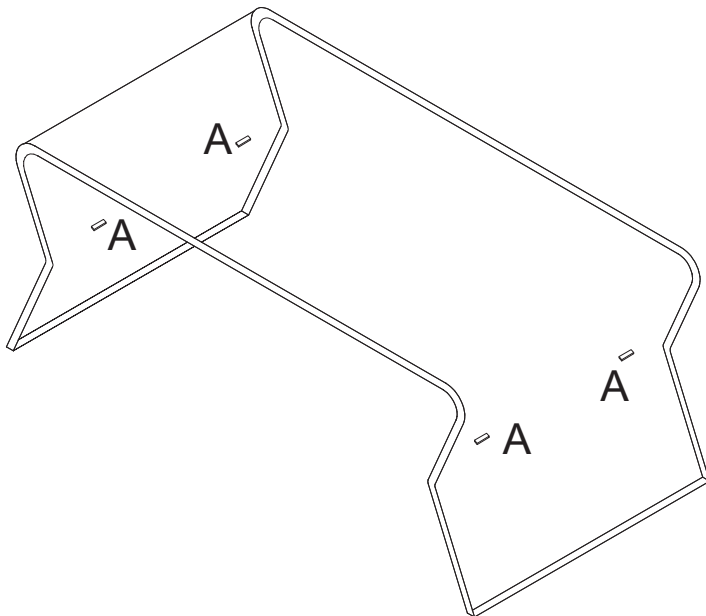
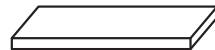


1

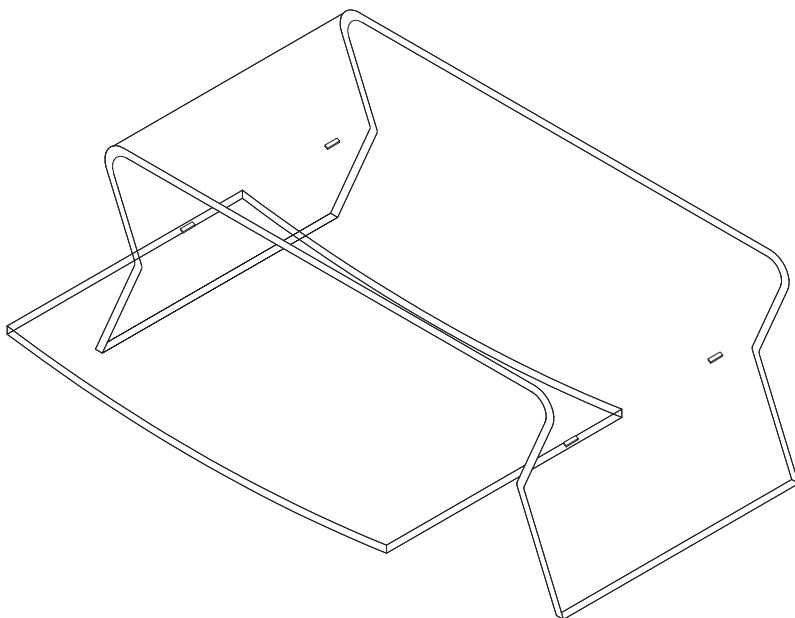


A



x4

2



3

