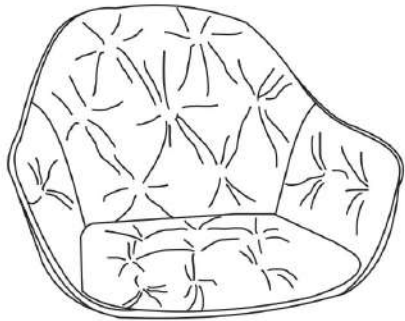


# ASSEMBLY INSTRUCTION

**AX1**

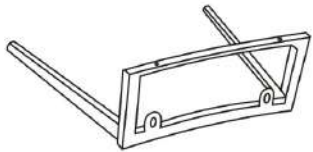


**DX6**



M6\*18mm

**BX1**

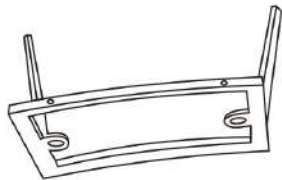


Front Leg

**Ex1**

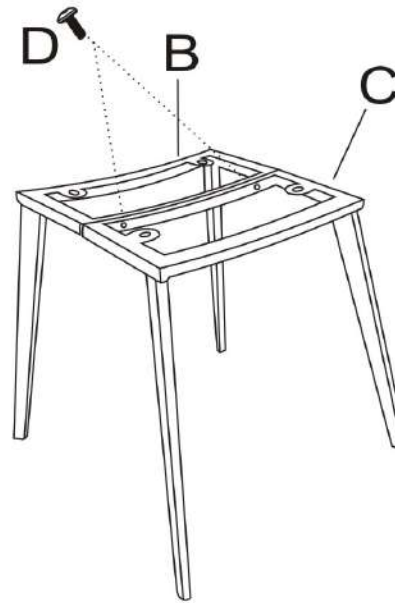


**CX1**

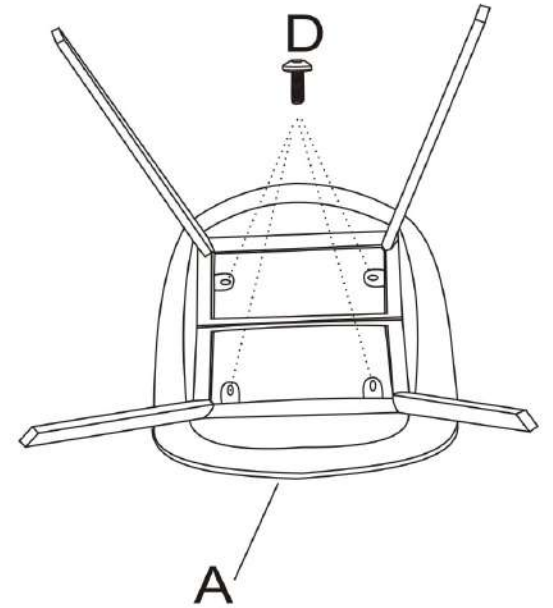


Back Leg

①



②



③

