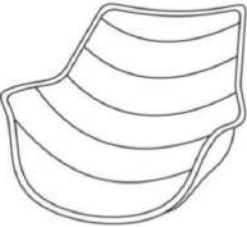


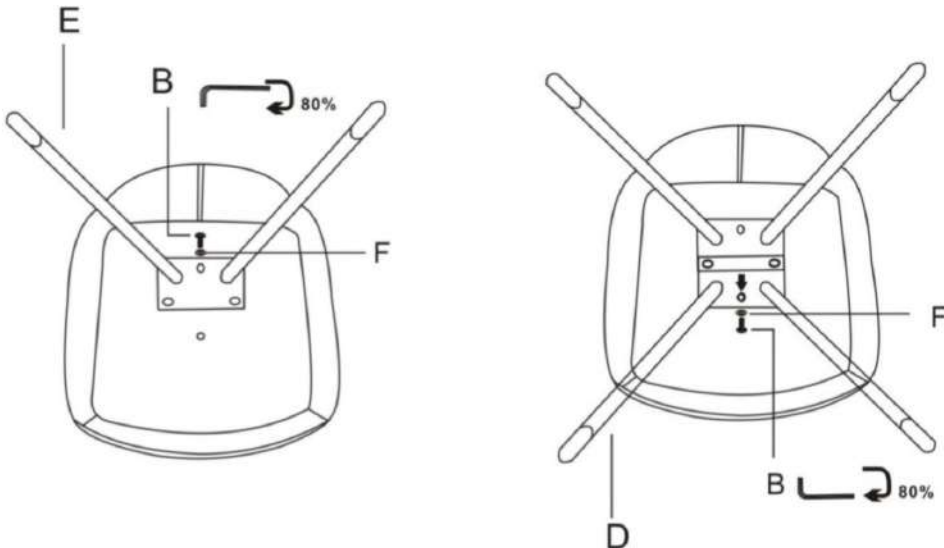
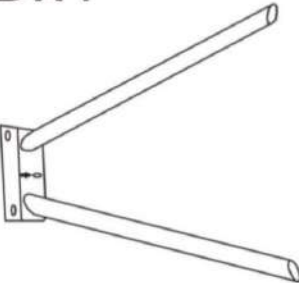
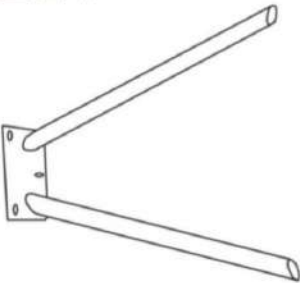



ASSEMBLING INSTRUCTION

<p>Ax1</p> 	<p>Bx2 M6X20MM</p> 	<p>Cx2 M6X25MM</p> 	
<p>Dx1</p> 	<p>Ex1</p> 	<p>Fx4</p>  <p>6x18x1.5</p>	
<p>Gx1</p> 