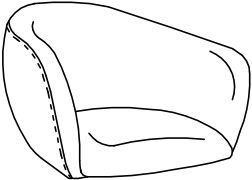
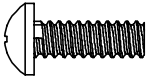
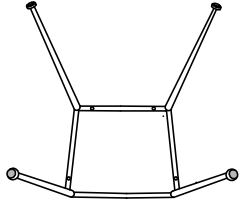

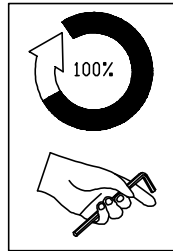
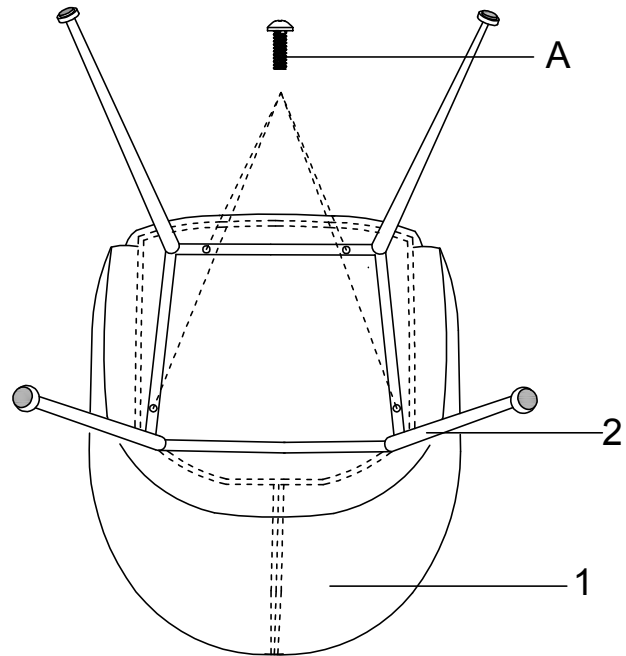


Assembly instruction

1*1		A*4+1EXT	 M6*30MM
2*1		G*1	 M6

STEP 1



STEP 2

