

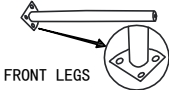

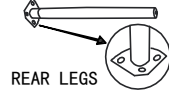
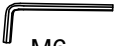
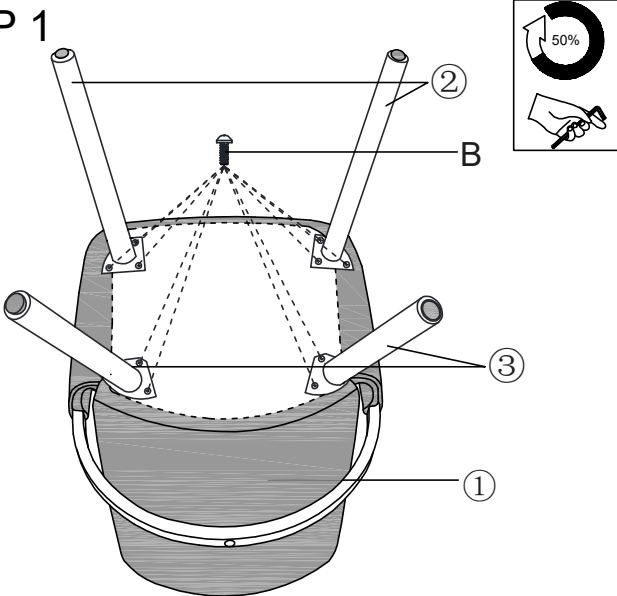


# Assembly Instruction

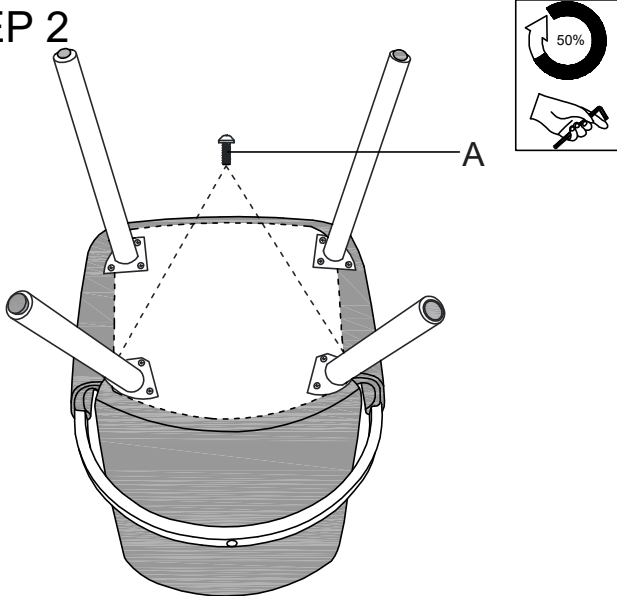
①*1pc		A*2+1EXT	 M6*25MM
②*2pcs		B*10+1EXT	 M6*20MM
③*2pcs		G*1	 M6

**STEP 1**



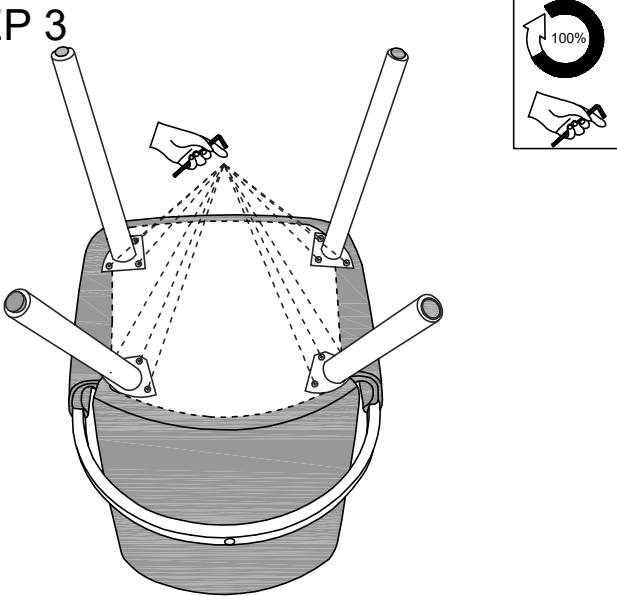
②  
B  
③  
①

**STEP 2**



A

**STEP 3**



①

