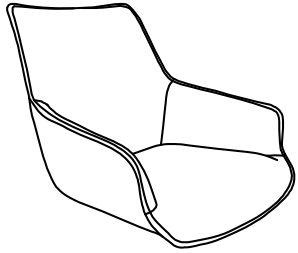
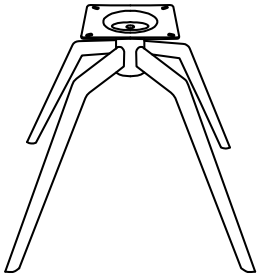


# ASSEMBLY INSTRUCTION

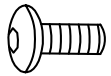
A\*1



B\*1



C\*4



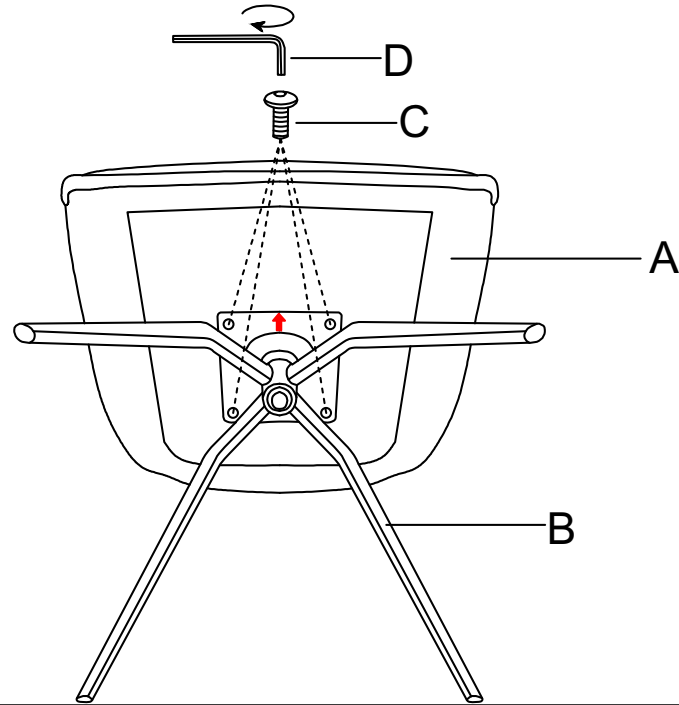
M6\*20mm

D\*1



M6

①



②

