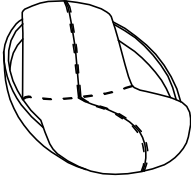

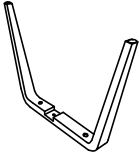

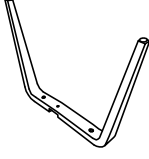


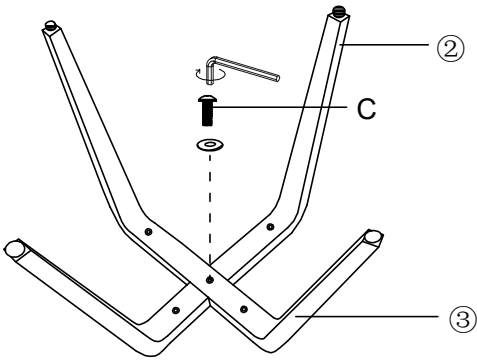


Assmebly Instruction

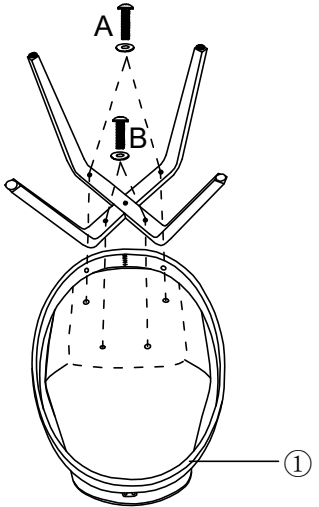
①*1 pc		A*2+1EXT	 M6*50MM+M6*16*1MM
②*1 pc		B*2+1EXT	 M6*42MM+M6*16*1MM
③*1 pc		C*1+1EXT	 M6*27MM+M6*16*1MM
		G*1	 M6

STEP 1



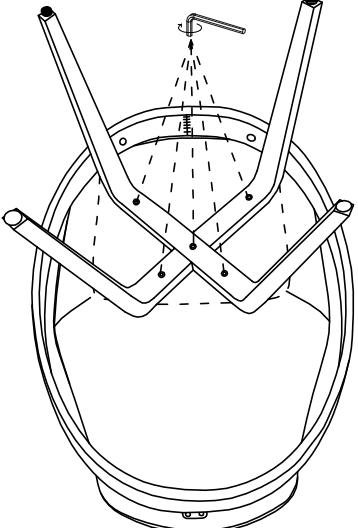
②
C
③

STEP 2



A
B
①

STEP 3



STEP 4

