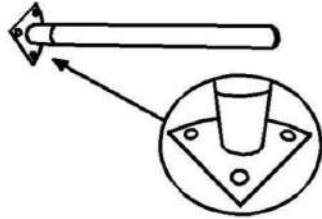


# ASSEMBLY INSTRUCTIONS

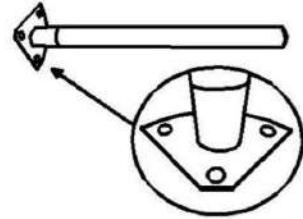
Ax1



Bx2



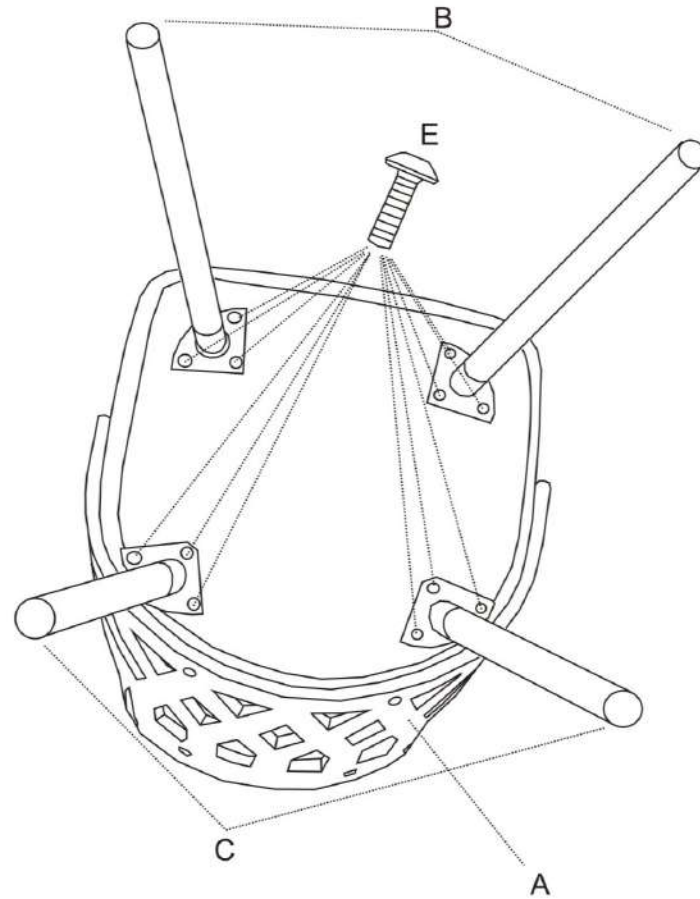
Cx2



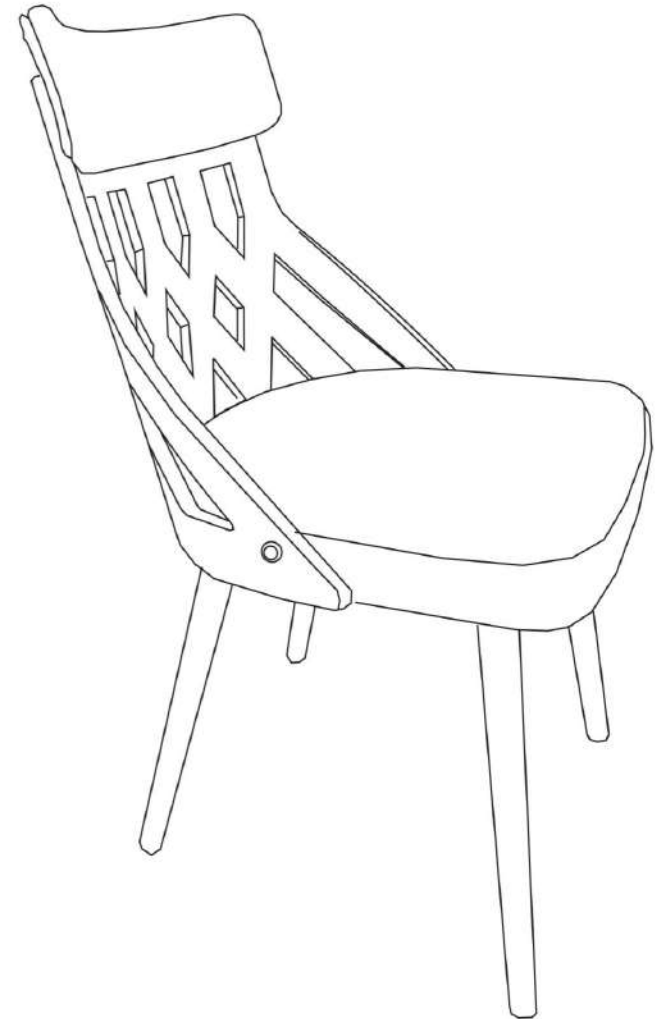
Dx1



Ex12



1



2