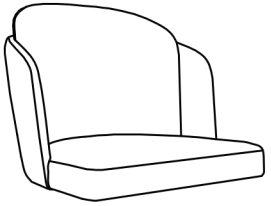
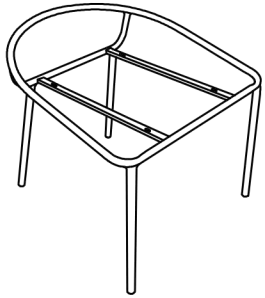


# ASSEMBLY INSTRUCTION

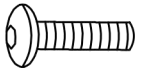
A\*1



B\*1

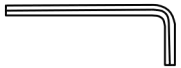


C\*4

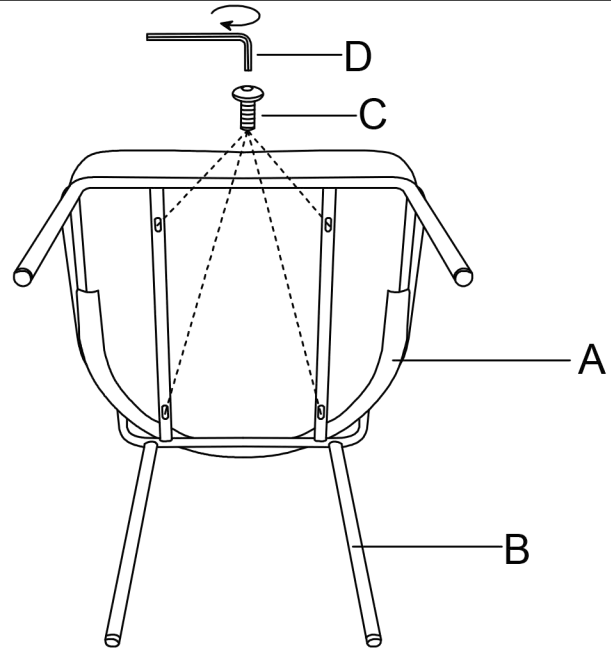


M6\*30mm

D\*1



①



②

