
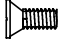
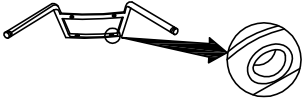



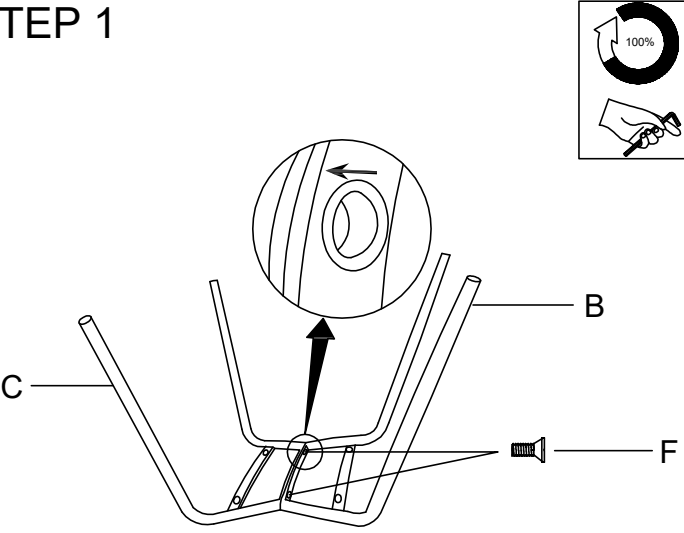


# Assembly Instruction

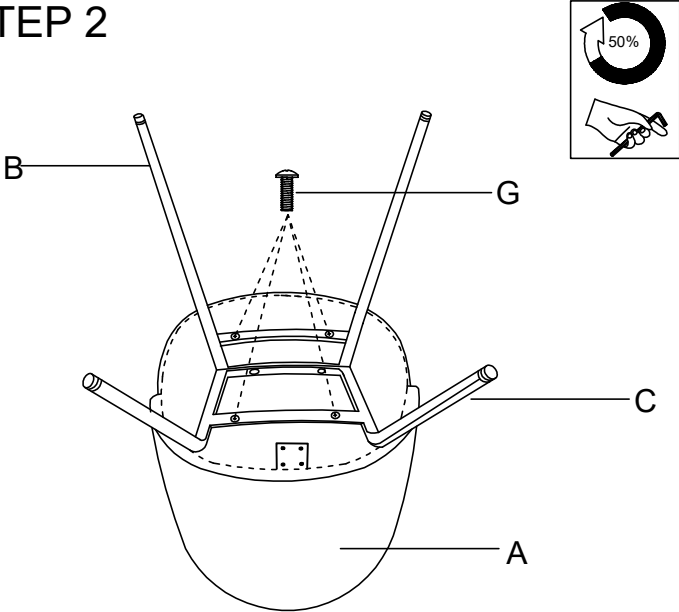
A*1		F*2+1EXT	 M8*16MM
B*1		G*4+1EXT	 M6*30MM
C*1		L*1	 M6

**STEP 1**



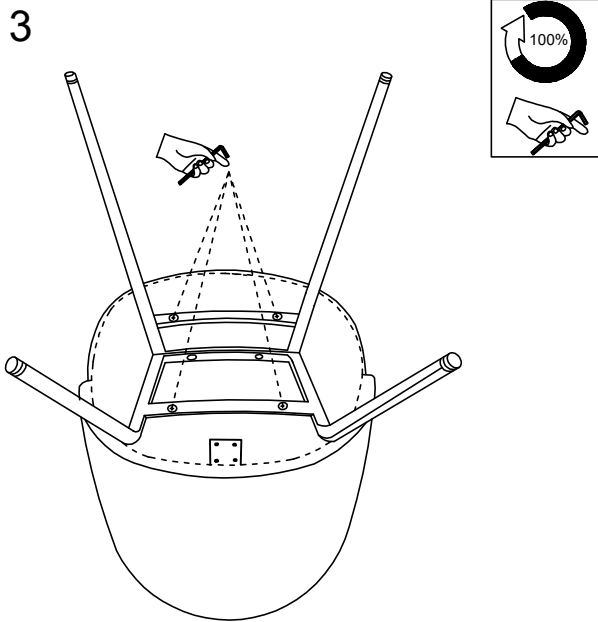
100%

**STEP 2**



50%

**STEP 3**



100%

**STEP 4**

