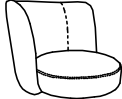



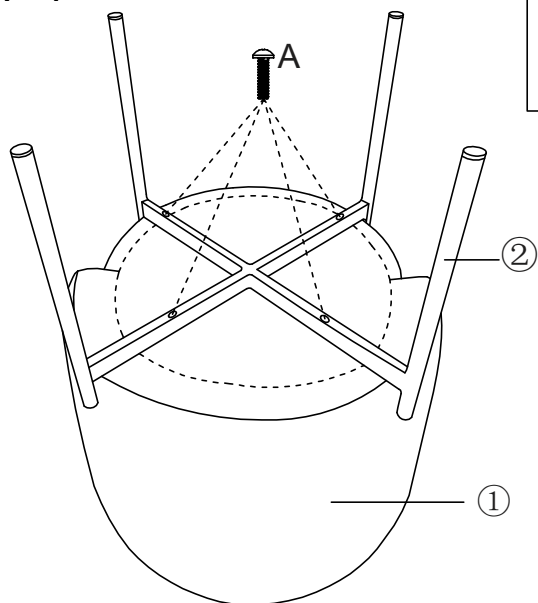


# Assembly Instruction

①*1pc		A*4+1EXT	 M6*50MM
②*1pc		G*1	 M6

STEP 1



STEP 2

