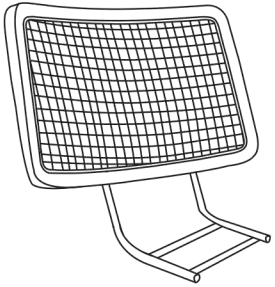
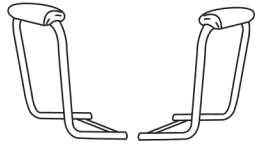


ASSEMBLING INSTRUCTION

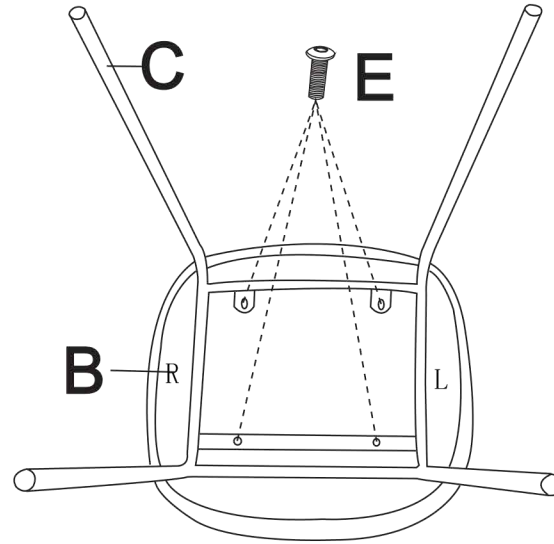
Ax1



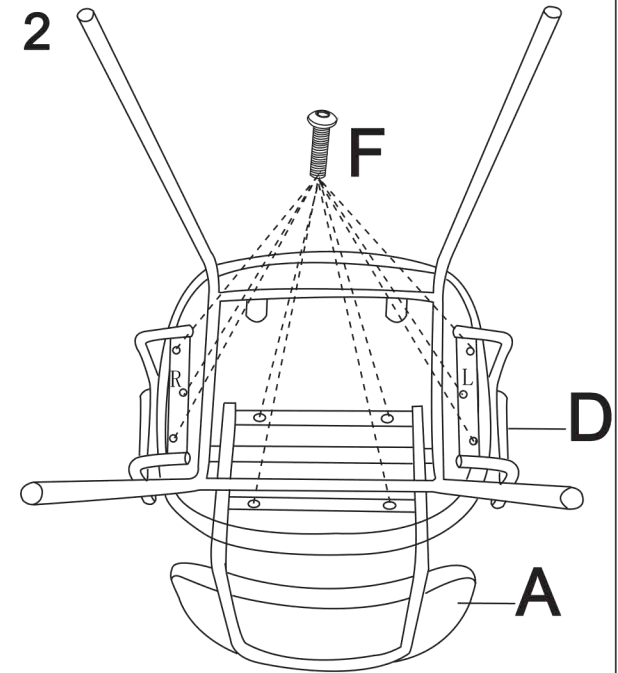
Dx1



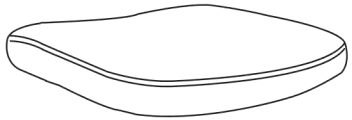
1



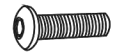
2



Bx1



Ex4



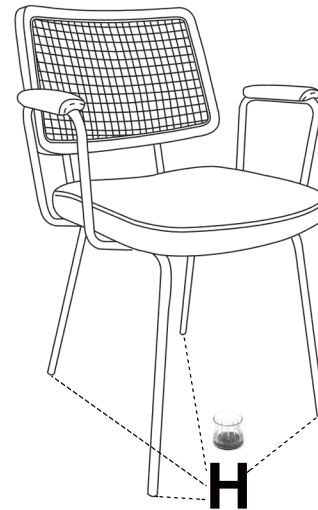
M6X16mm

Fx10

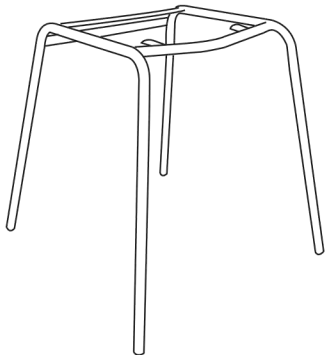


M6X20mm

3



Cx1



Gx1



Hx4

