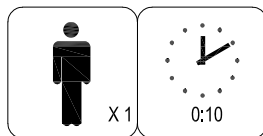
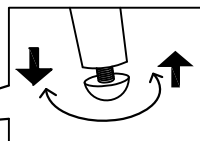
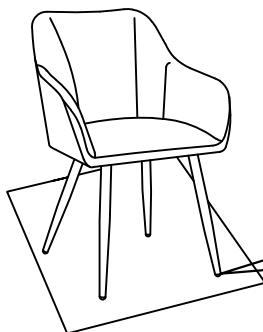
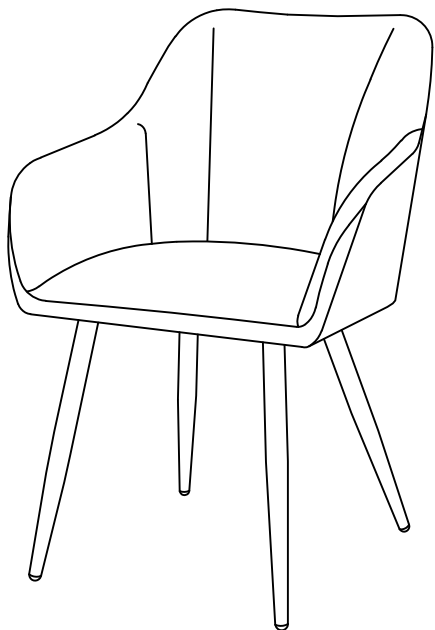
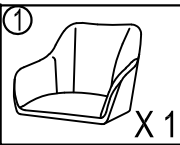
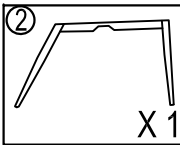
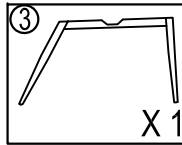
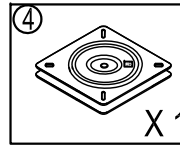
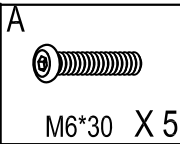
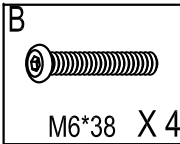
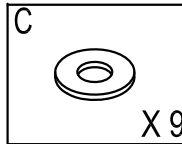
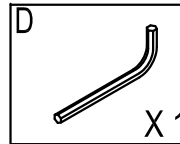


ASSEMBLY INSTRUCTIONS

DINING CHAIR MODEL#: UDC22106-S



 ① X 1	 ② X 1	 ③ X 1	 ④ X 1
 A M6*30 X 5	 B M6*38 X 4	 C X 9	 D X 1

1

