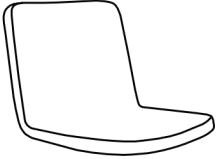


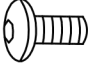
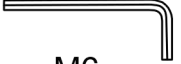



ASSEMBLY INSTRUCTION

A*1	
B*1	
C*1	 M6*30mm
D*2	 M6*16mm
E*1	 M6
F*1	 M5
G*4	