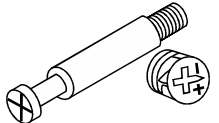

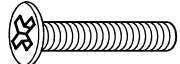
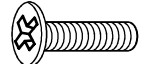
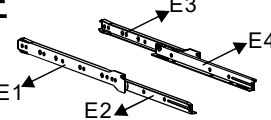
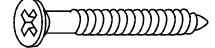
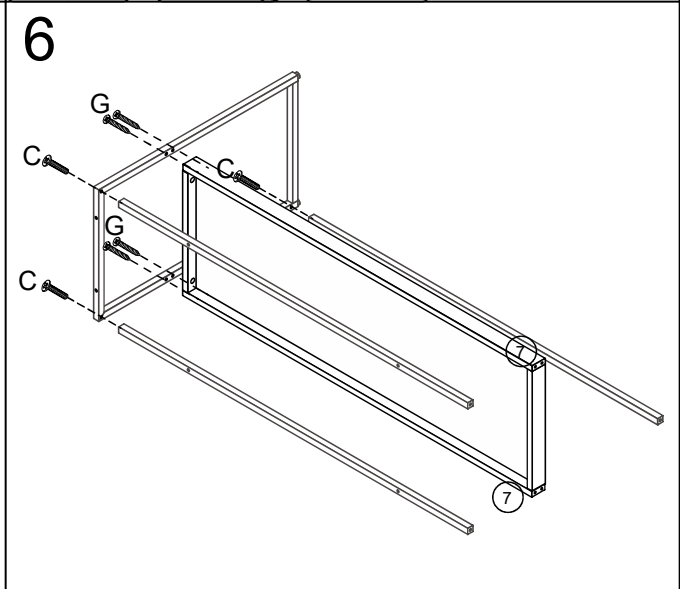
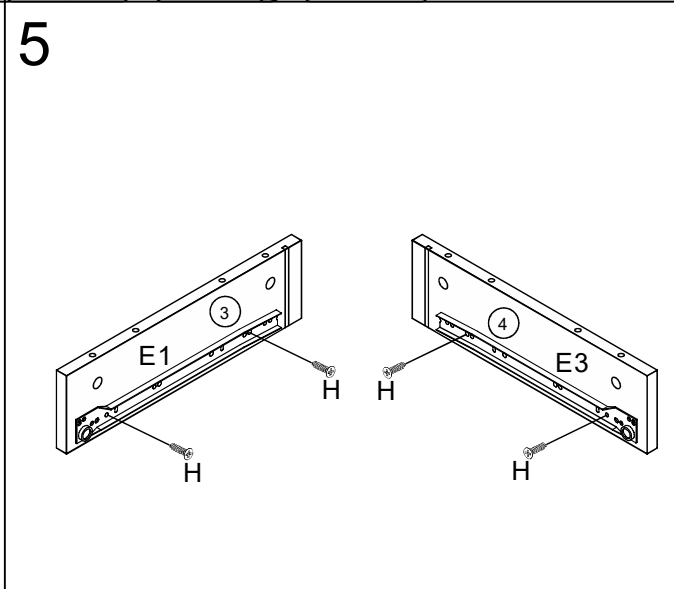
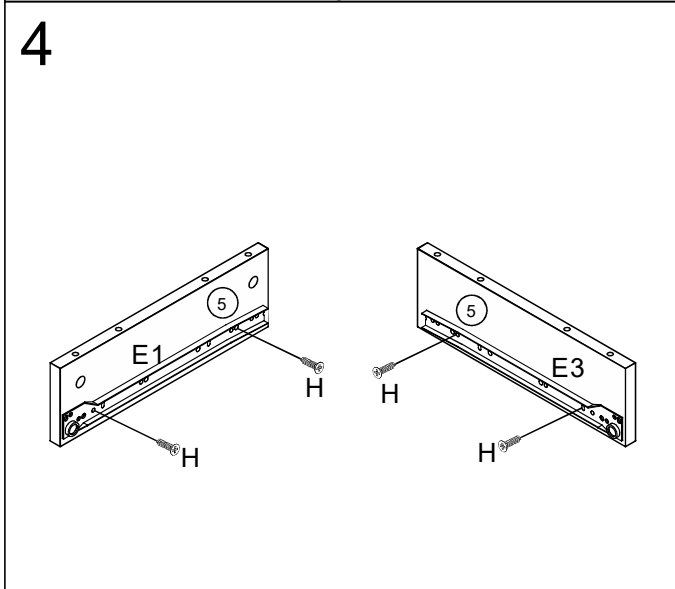
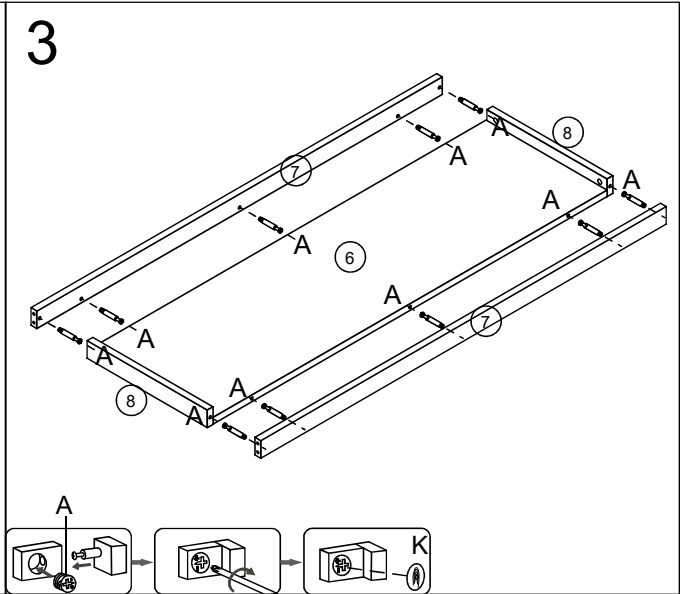
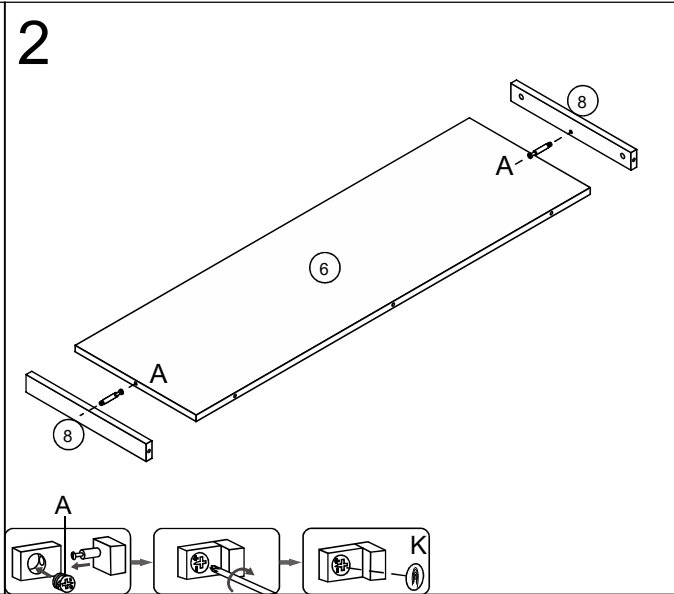
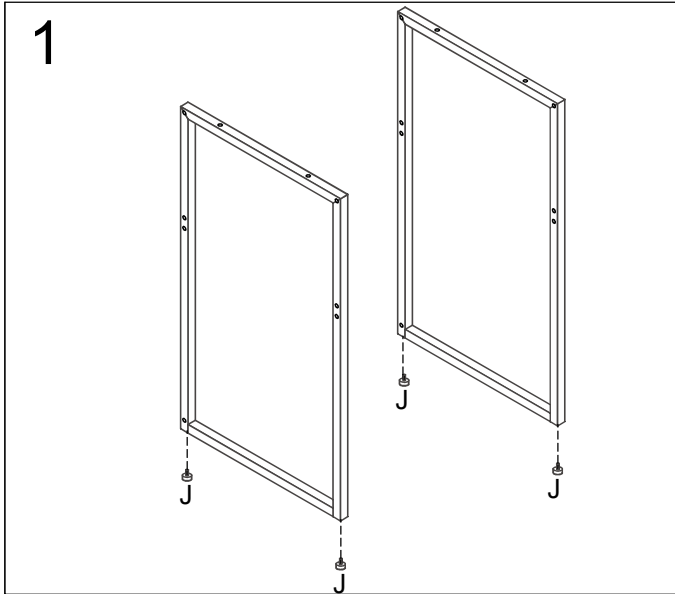
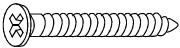

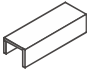
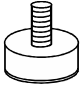

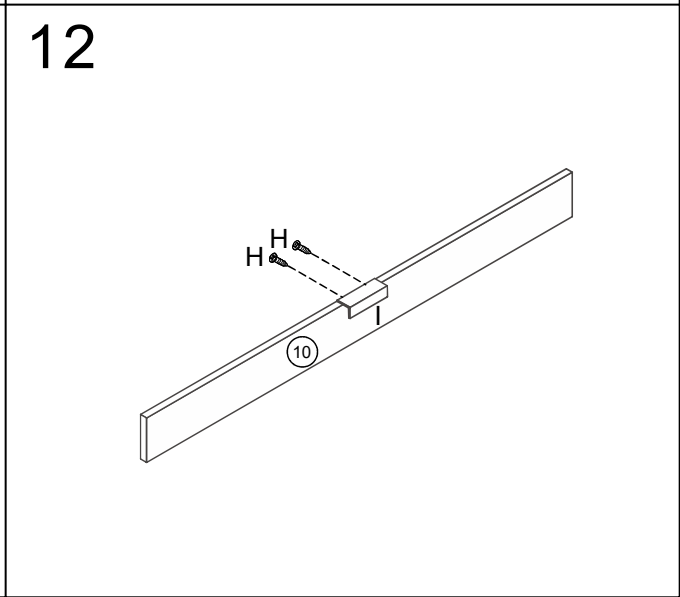
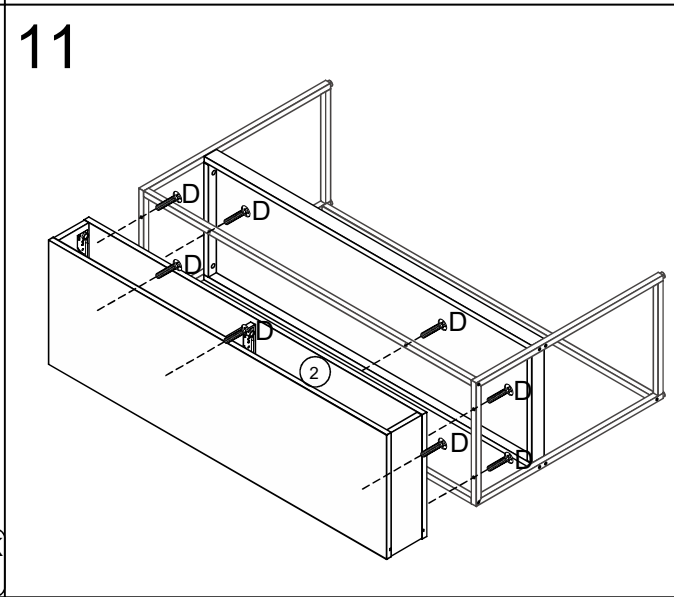
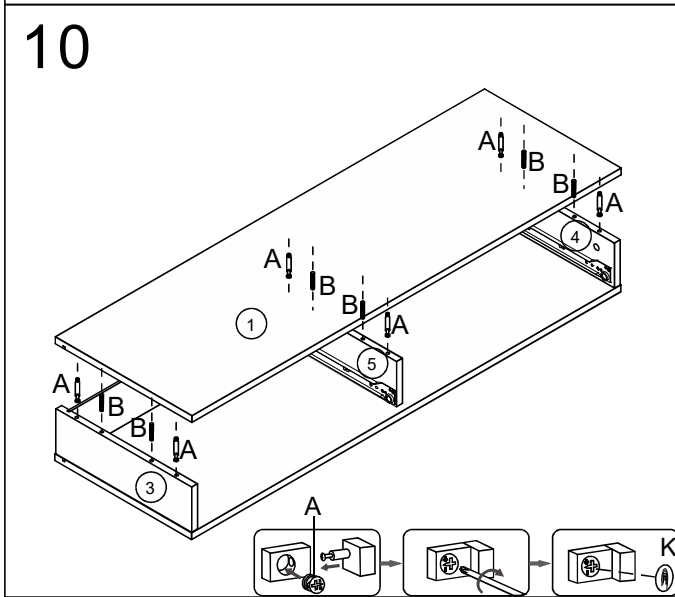
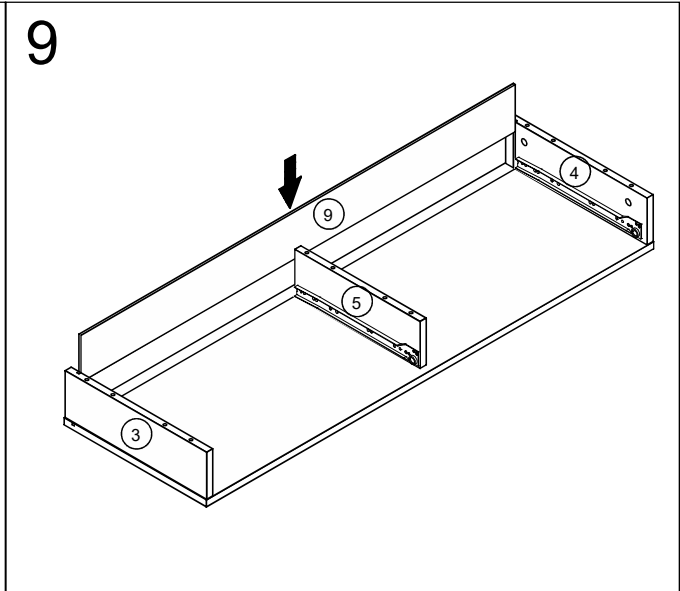
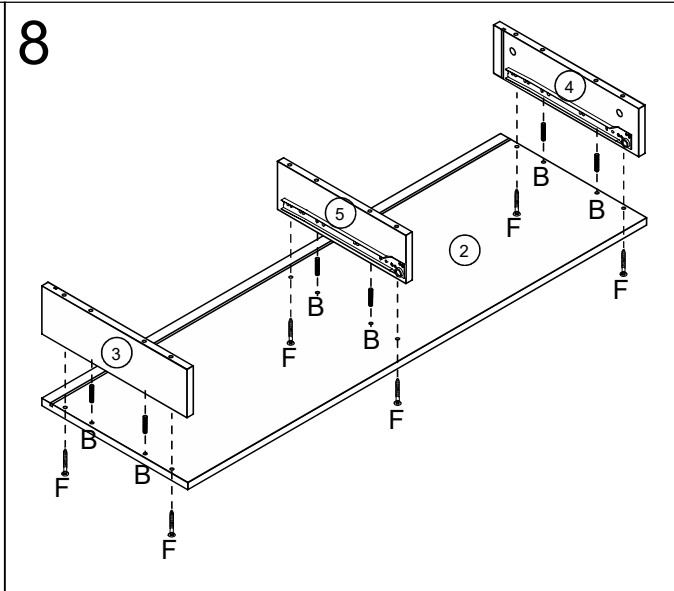
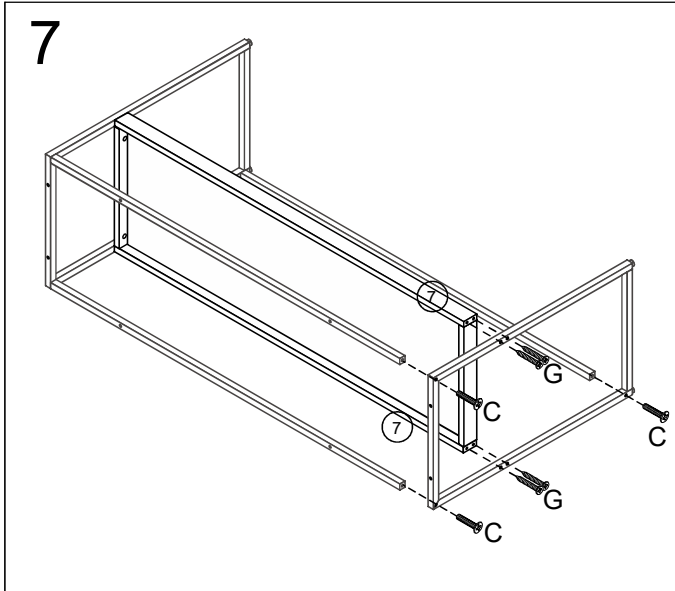


<p>A</p>  <p>22pcs</p>	<p>B</p>  <p>8X30mm 12pcs</p>	<p>C</p>  <p>M6X35 mm 6pcs</p>	<p>D</p>  <p>M6X25 mm 16pcs</p>	<p>E</p>  <p>2pcs</p>	<p>F</p>  <p>ST5X50mm 14pcs</p>
--	---	---	---	---	---

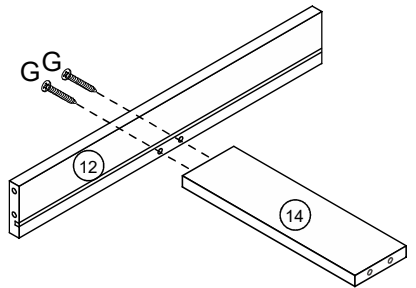


<p>G</p>  <p>ST5X40mm 20pcs</p>	<p>H</p>  <p>ST3.5X14mm 18pcs</p>	<p>I</p>  <p>1pc</p>	<p>J</p>  <p>M6X15X10mm 4pcs</p>	<p>K</p>  <p>22pcs</p>
---	---	--	--	--



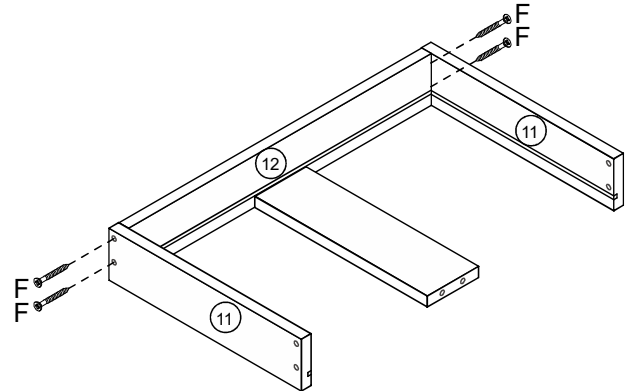
--	--	--	--	--	--

13



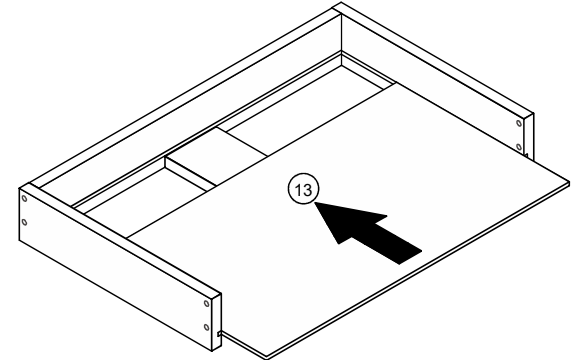
x2

14



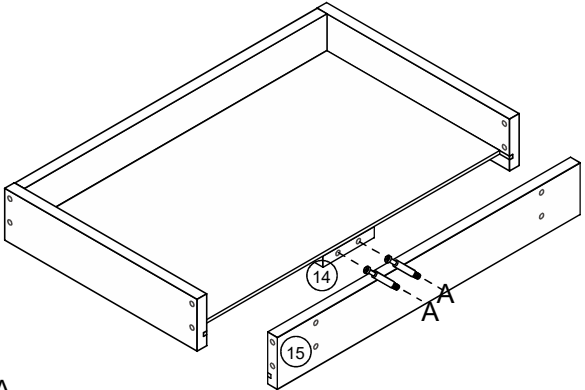
x2

15

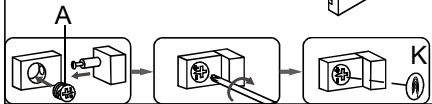


x2

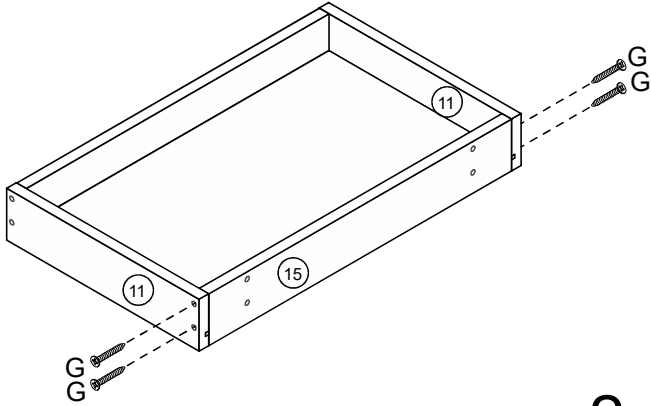
16



x2

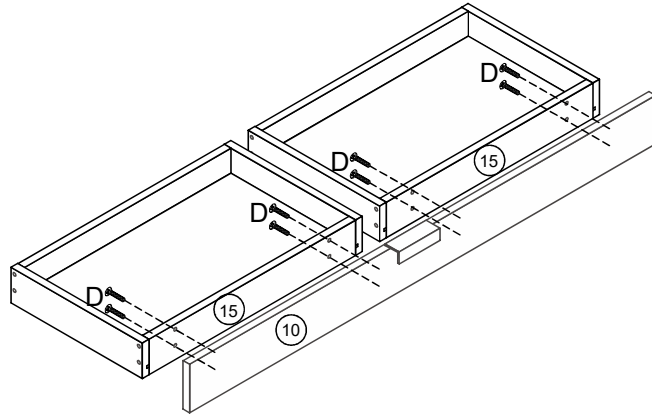


17



x2

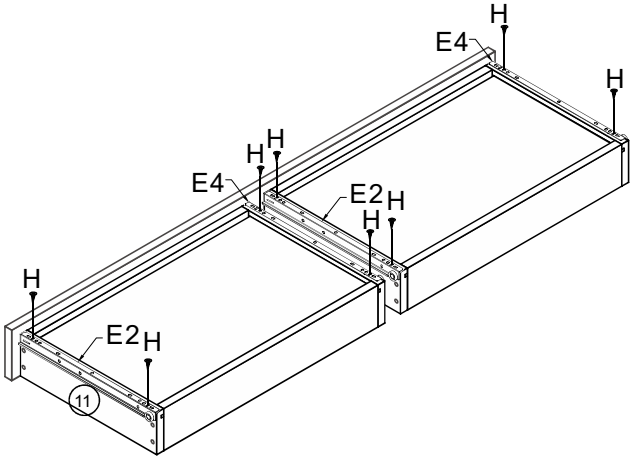
18



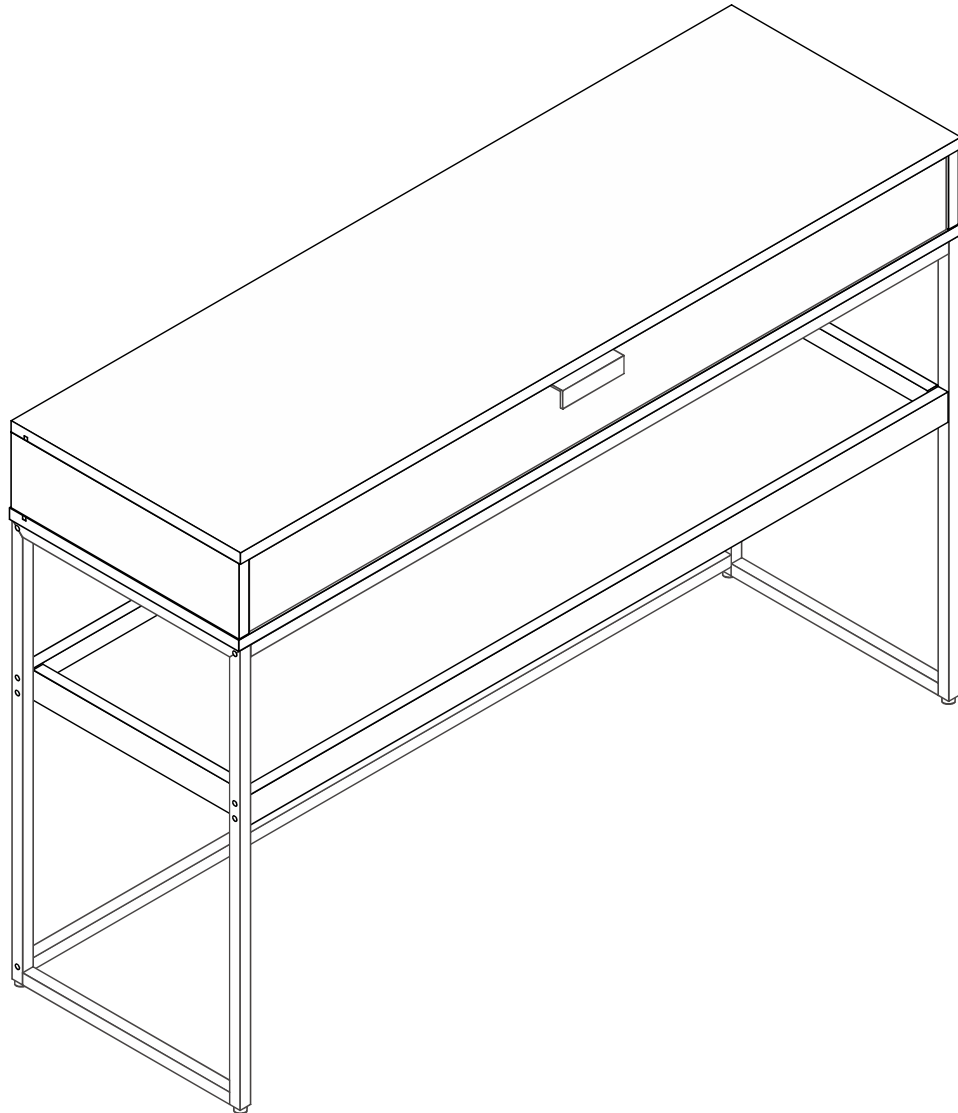
--	--	--	--	--	--

--	--	--	--	--	--

19



21



20

