
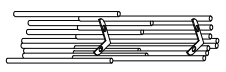
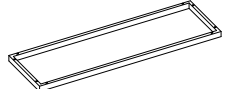
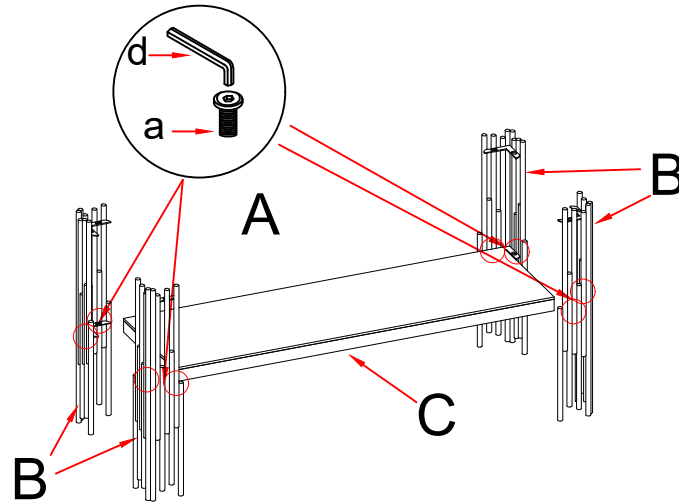


# ASSEMBLY INSTRUCTIONS

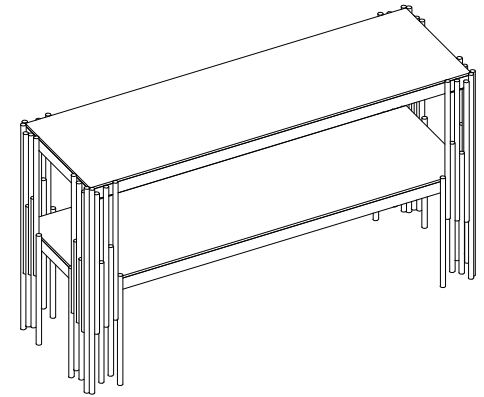
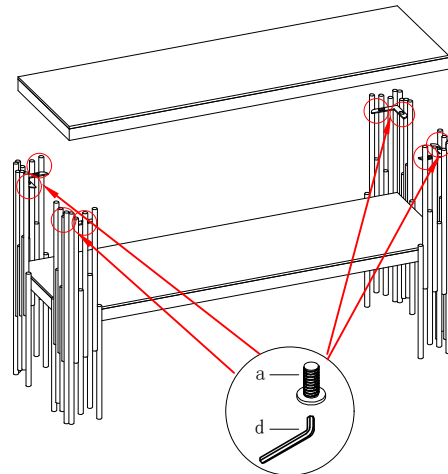
## List of parts

NO.	Description	Pcs
A		2
B		4
C		2



step 1



step 2



## List of hardware

NO.	Description	Qty
a	 M8*16	16
b		
c		
d		1