

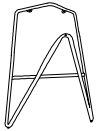

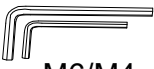
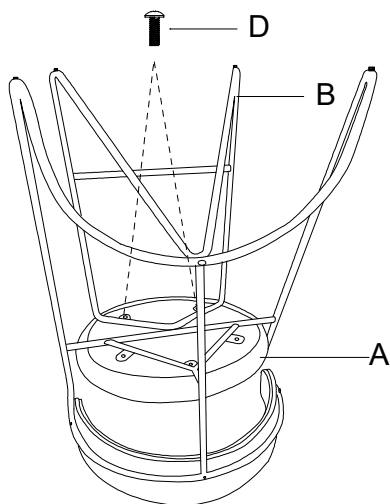


Assembly Instruction

ITEM NO:JY-3042

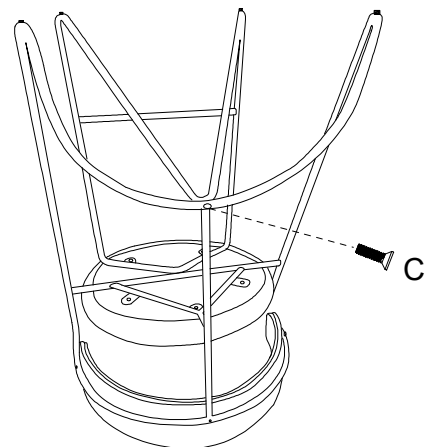
A*1		C*1+1EXT	 M6*25MM
B*1		D*2+1EXT	 M6*16MM
		G*1	 M6/M4

STEP 1



If the screws don't fit, loosen the cushion screws first

STEP 2



All screws are tightened

STEP 3

