




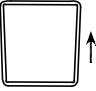
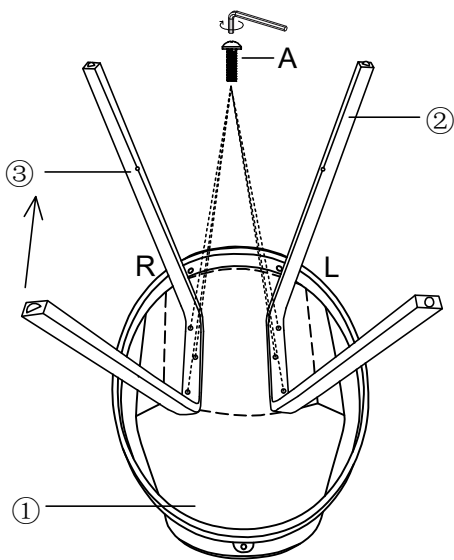


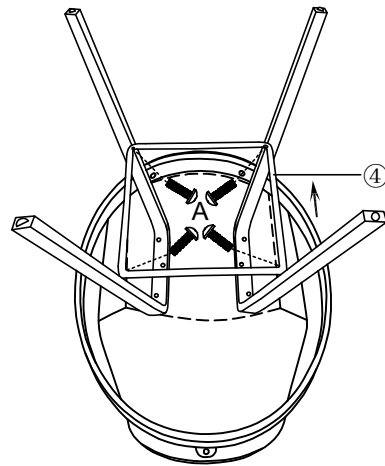
Assembly Instruction

①*1pc		A*10+1EXT	 M6*30MM
②*1pc		G*1	 M6
③*1pc			
④*1pc			

STEP 1

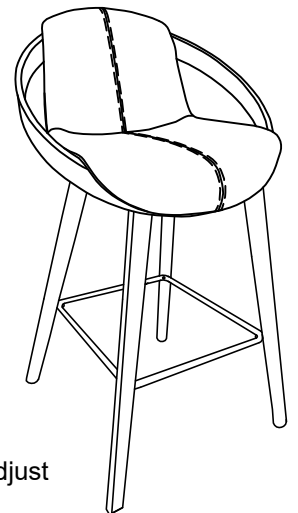
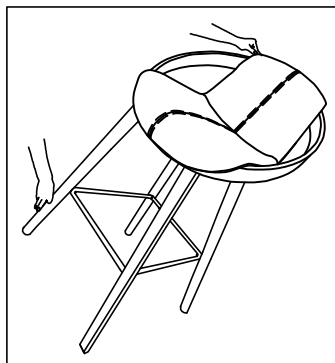
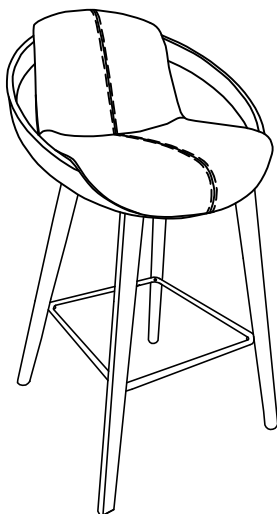


STEP 2



Fasten All screws indicate on Step 1 & Step 2.

STEP 3



NOTE:

If the legs are uneven, please adjust it by pressing the legs.