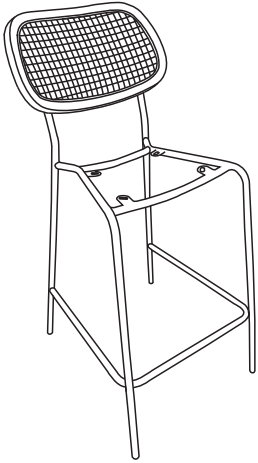


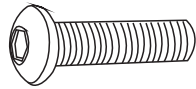
ASSEMBLING INSTRUCTION

Ax1

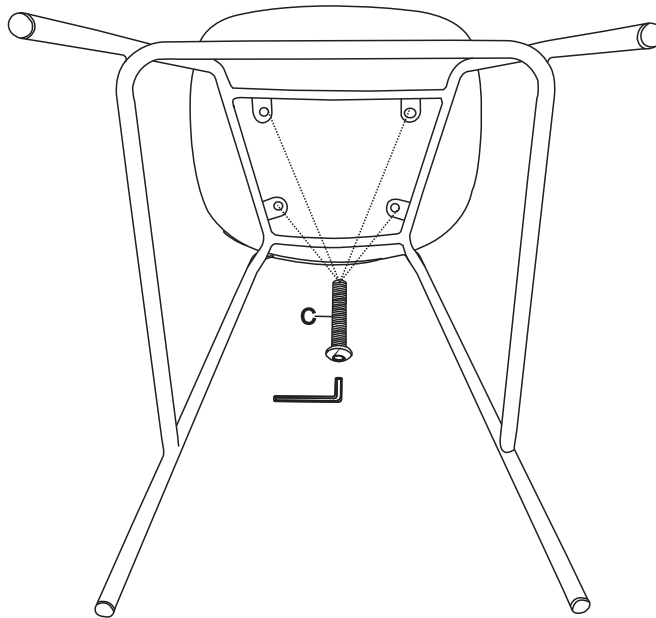


Cx4

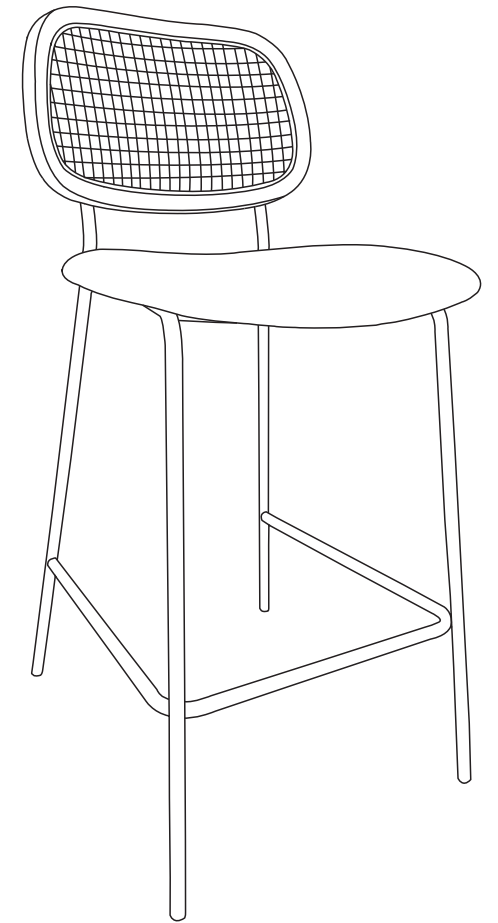
M6x16



1



2



Bx1



Dx1

