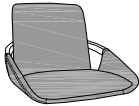

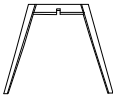




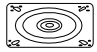


Assembly Instruction

1*1		A*4+1EXT	 M6*30MM
2*1		B*8+1EXT	 M6*18MM
3*1		G*1	 M6
4*1			
5*1			

STEP 1

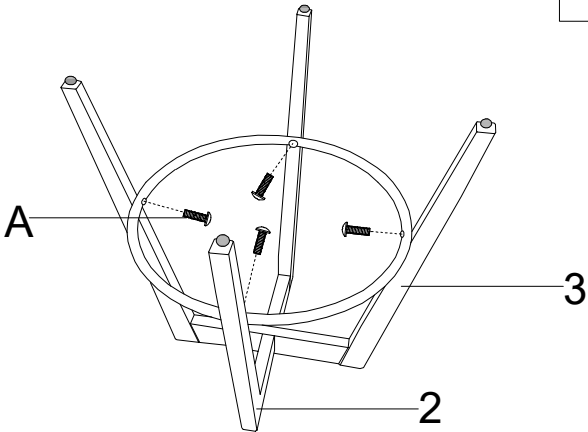


Diagram illustrating Step 1: Attaching the legs (2) to the seat (1) using screws (A). The seat is labeled 3.

STEP 2

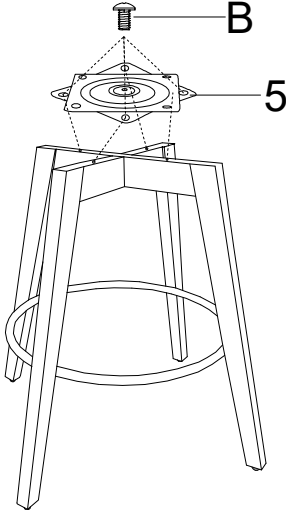


Diagram illustrating Step 2: Attaching the rear ring (4) to the seat (3) using screws (B) and a plate (5).

Fasten All screws indicate on Step 1 & Step 2.

STEP 3

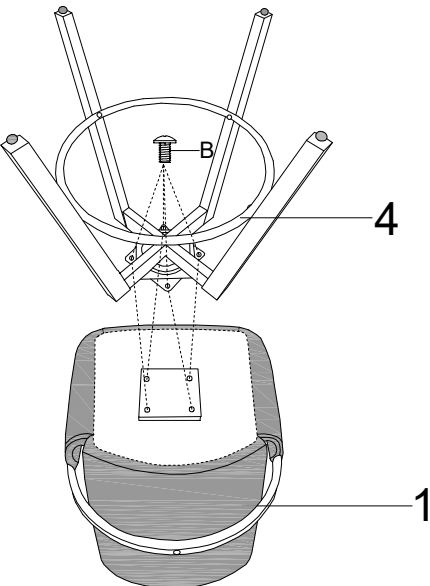


Diagram illustrating Step 3: Attaching the seat (1) to the frame (4) using screws (B).

STEP 4

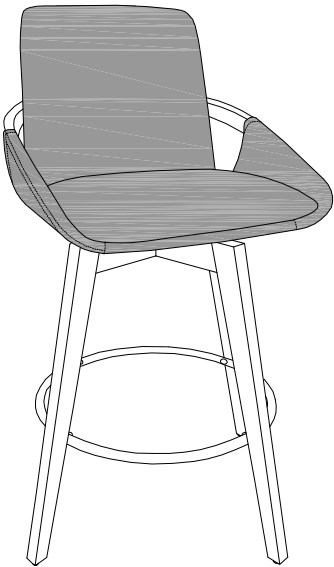


Diagram illustrating the final assembled chair.