

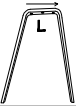



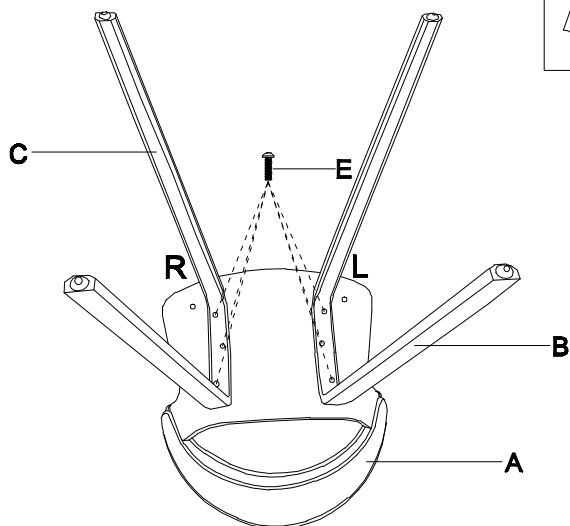
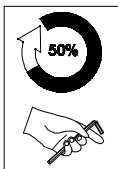


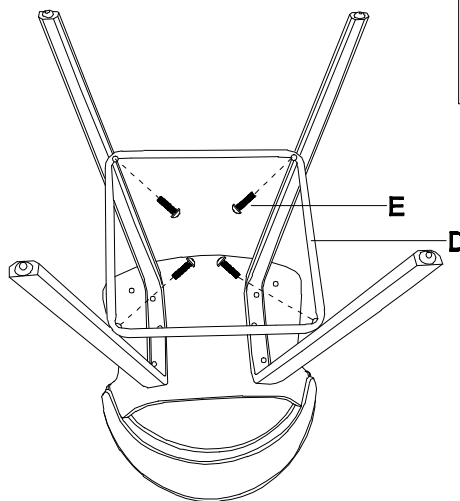
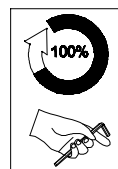
# Assembly Instruction

|     |   |           |  |
|-----|---|-----------|--|
| A*1 |  | D*1       |             |
| B*1 |  | E*10+1EXT | <br>M6*30MM |
| C*1 |  | G*1       | <br>M6      |

## STEP 1

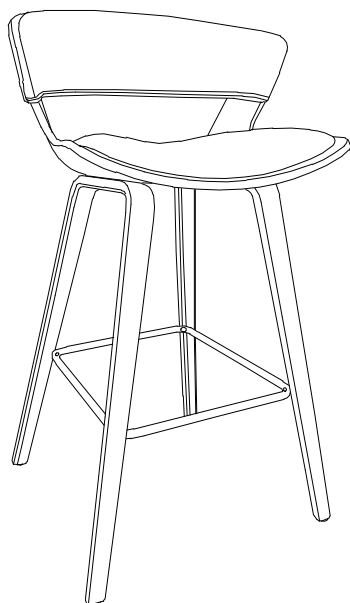


## STEP 2

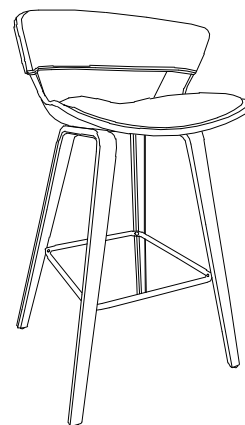
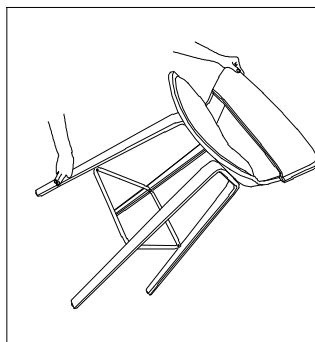


Fasten All screws indicate on Step 1 & Step 2.

## STEP 3



## STEP 4



**NOTE:**  
Step 4, if the foot is uneven, press the right foot.