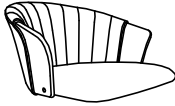

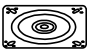

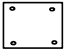
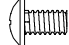






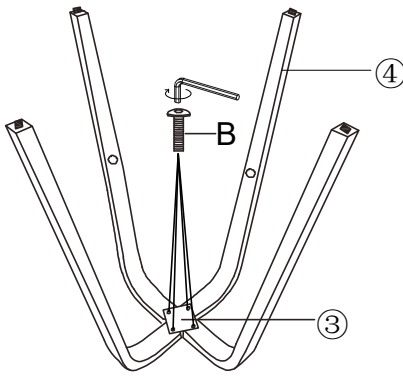



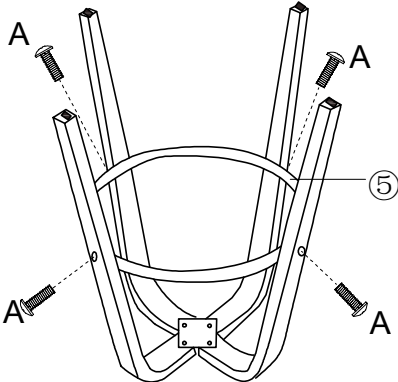
Assembly Instruction


①*1pc		A*4+1EXT	 M6*25MM
②*1pc		B*10+1EXT	 M6*20MM
③*1pc		C*2+1EXT	 M6*16MM
④*4pcs		D*2	
⑤*1pc		E*4	
		G*1	 M6

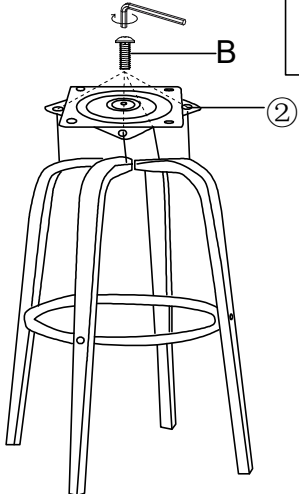
STEP1 




STEP2 

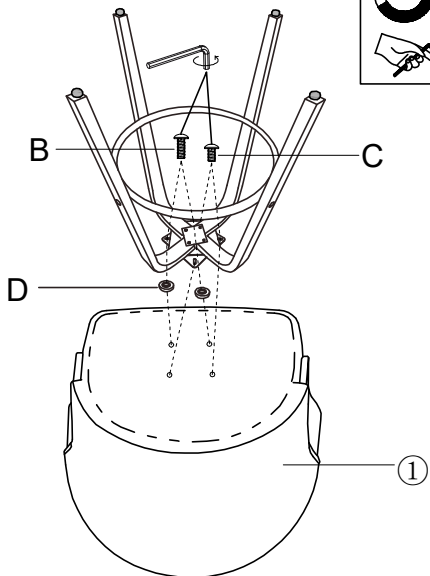


STEP3 

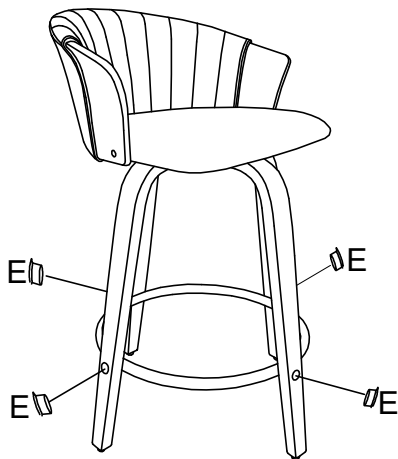


Fasten All screws indicate on Step 1 & Step2.

STEP4 



STEP5



STEP6

