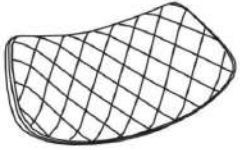
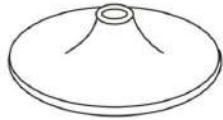


ASSEMBLING INSTRUCTION

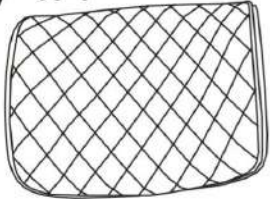
(1) x 1



(6) x 1

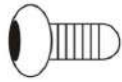


(2) x 1



(7) x 7

6x20MM

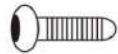


(3) x 1



(8) x 4

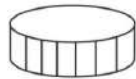
6x16MM



(4) x 1



(9) x 1



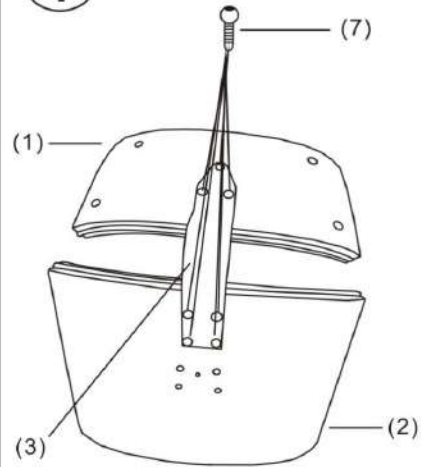
(5) x 1



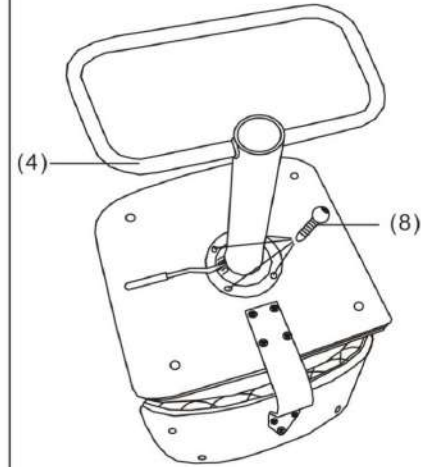
(10) x 1



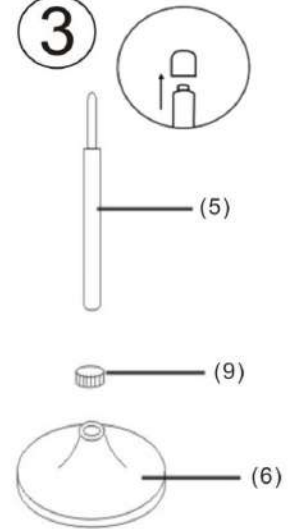
1



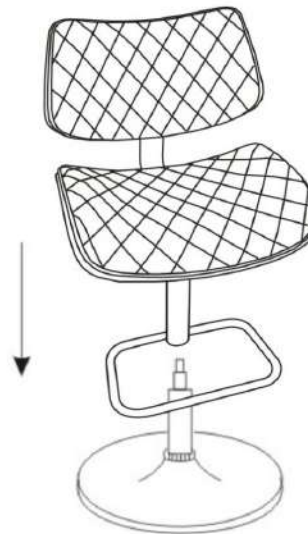
2



3



4



5

