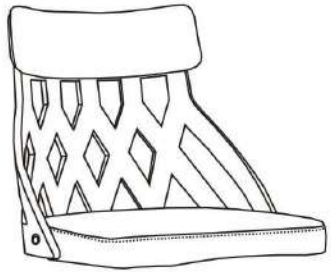
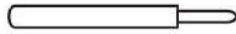


ASSEMBLING INSTRUCTION

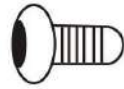
(1) ×1



(4) ×1

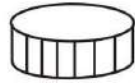


(5) ×4



M6x16

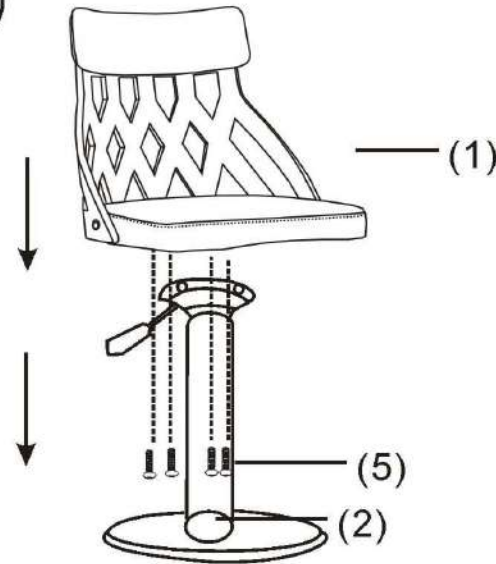
(6) ×1



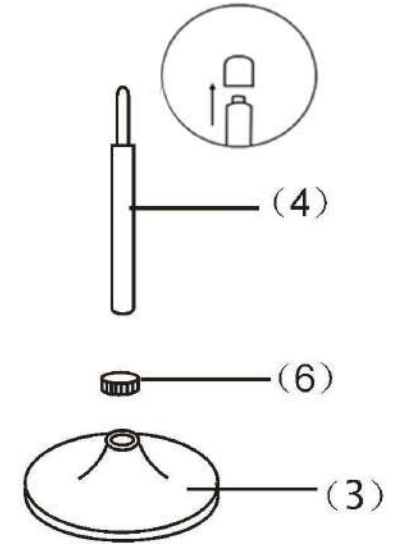
(7) ×1



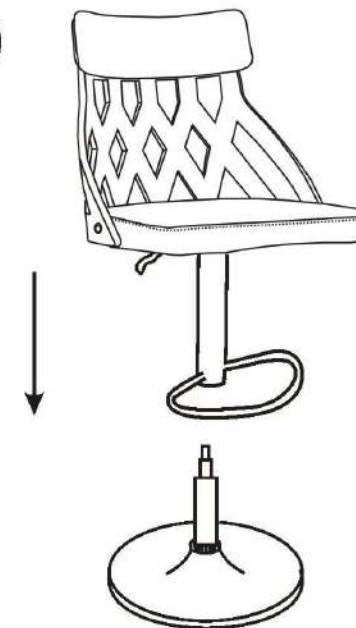
①



②



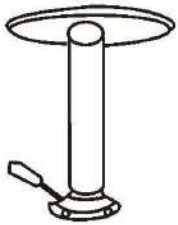
③



④



(2) ×1



(3) ×1

