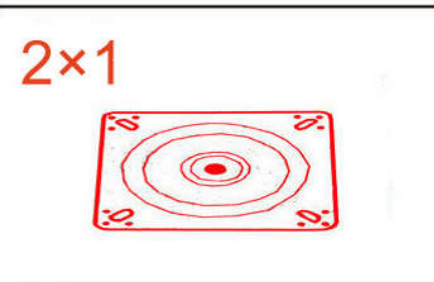
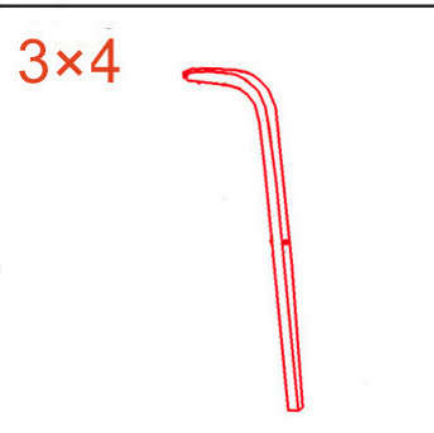


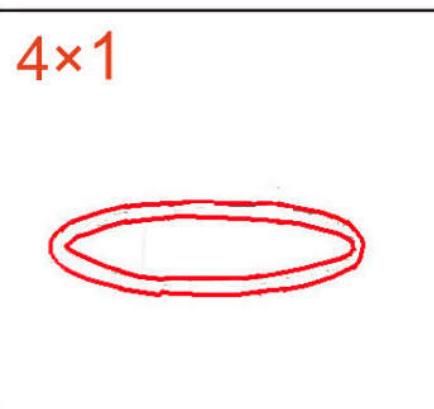
A×4 +1EXT  
  
M6×25



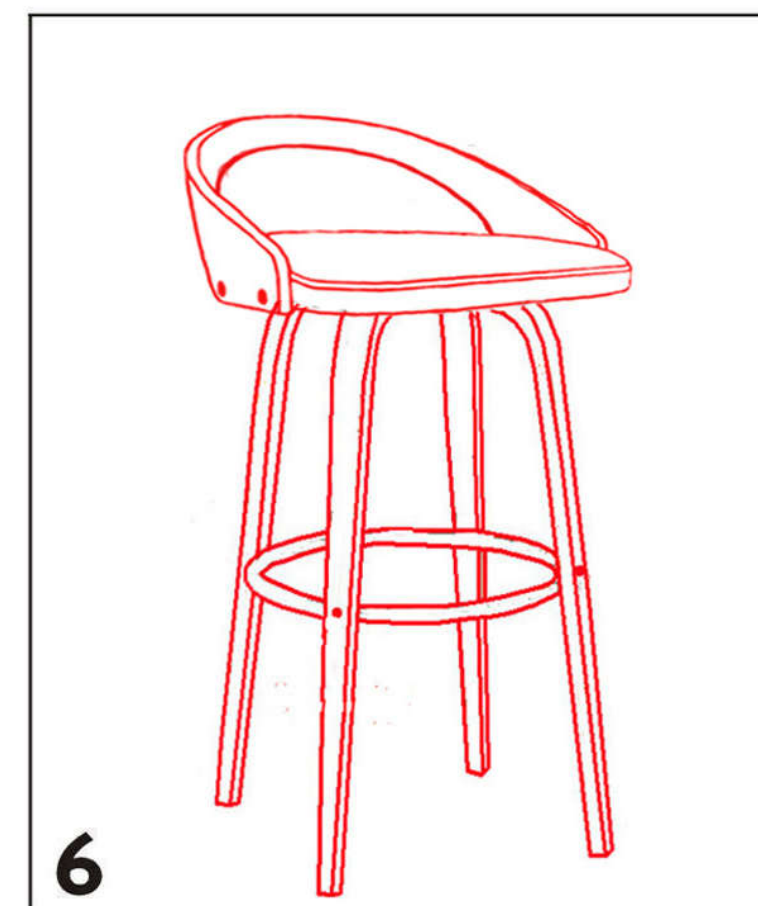
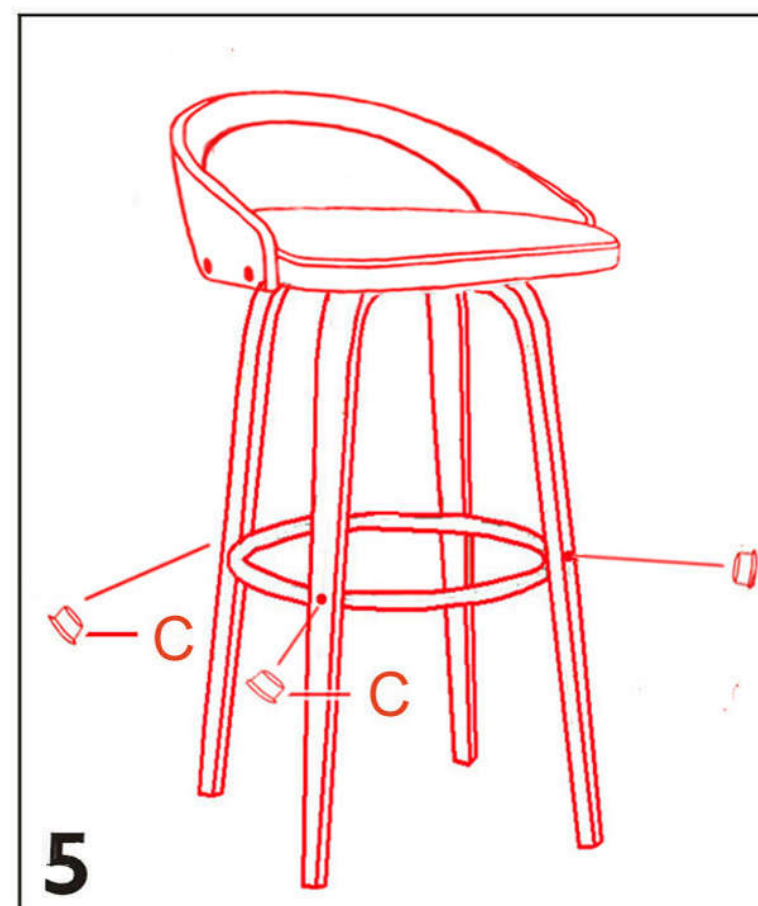
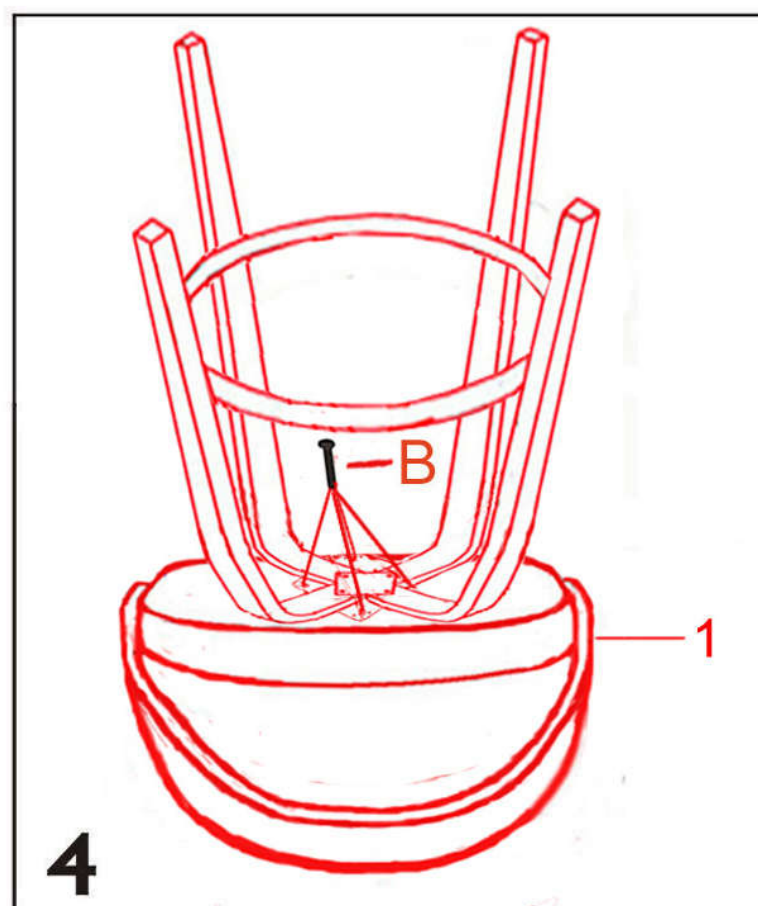
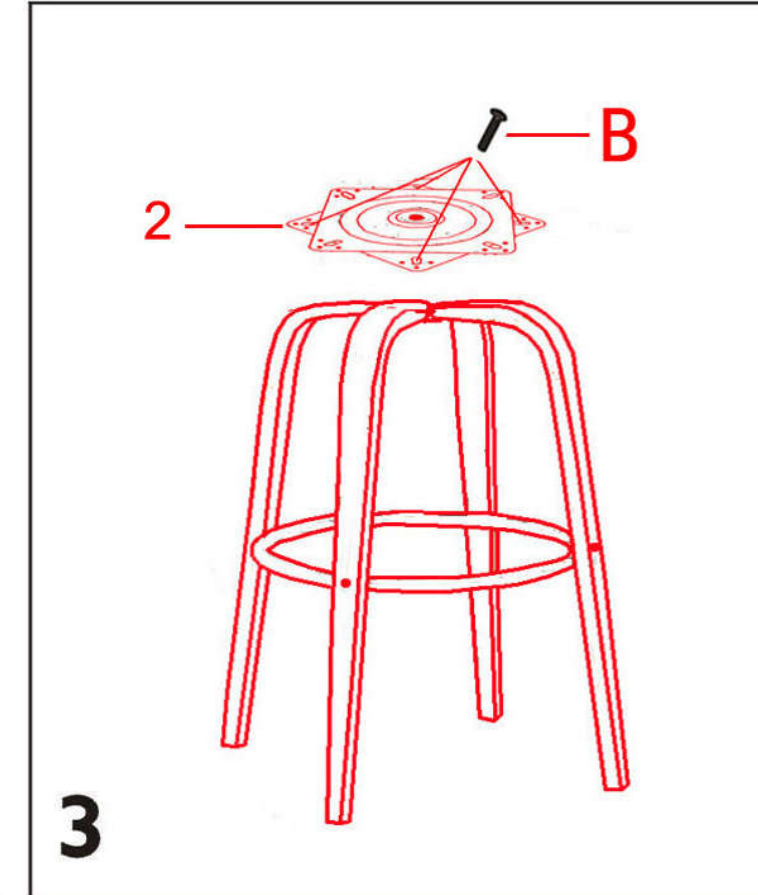
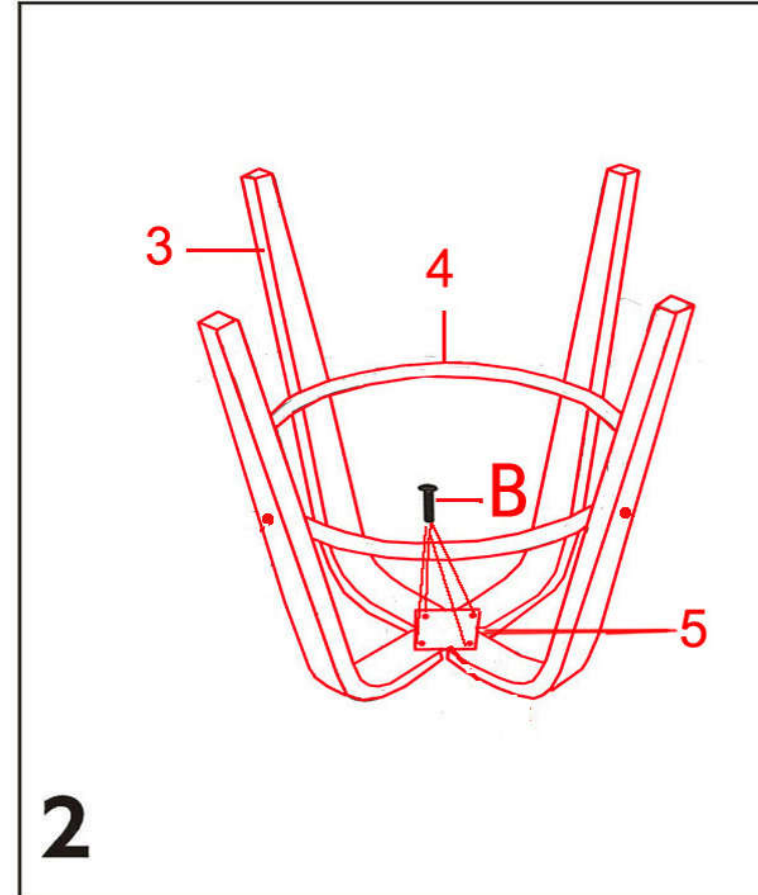
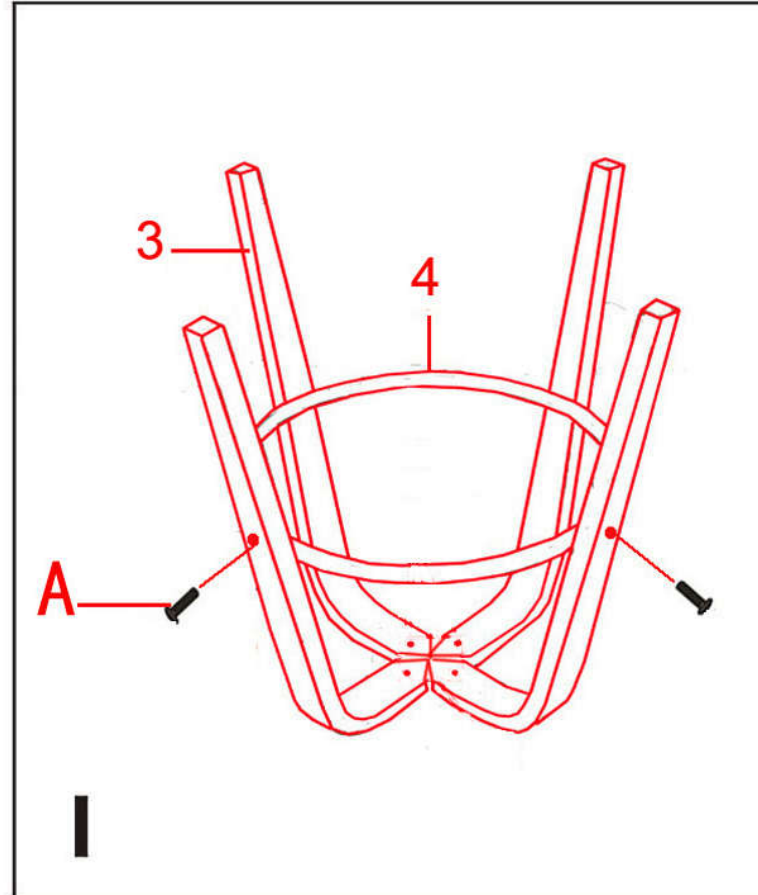
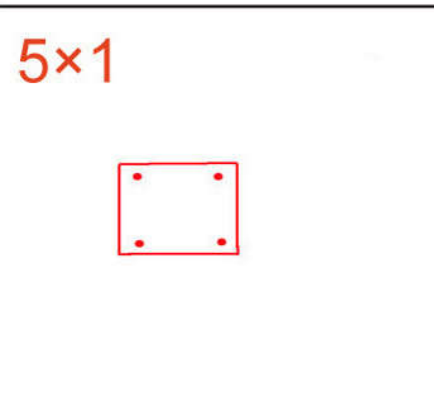
B×12 +1EXT  
  
M6×20



C×4  

G×1  

Noted: 1.Lightly tighten the screws indicate on step 1&step 2 &step 3.

2.Tighten ALL screws on step 4,then insert All 4(D) caps to finish on step 5.

3.Make certain that ALL screws are FULLY tightened before using the chair.