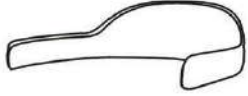



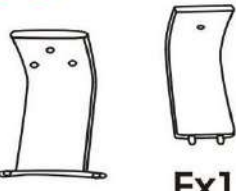








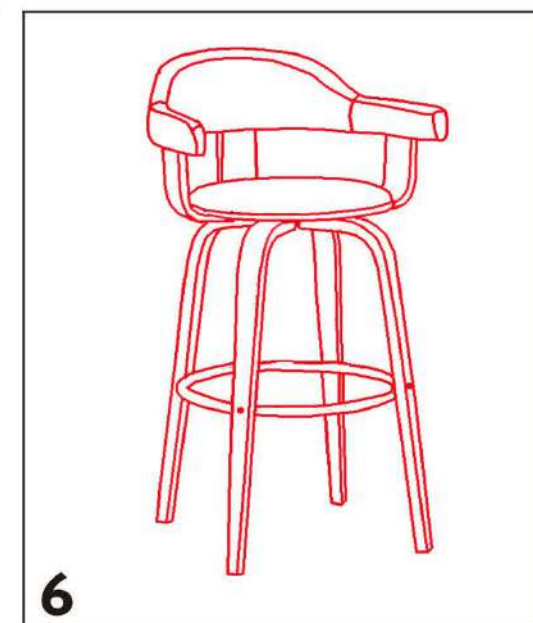
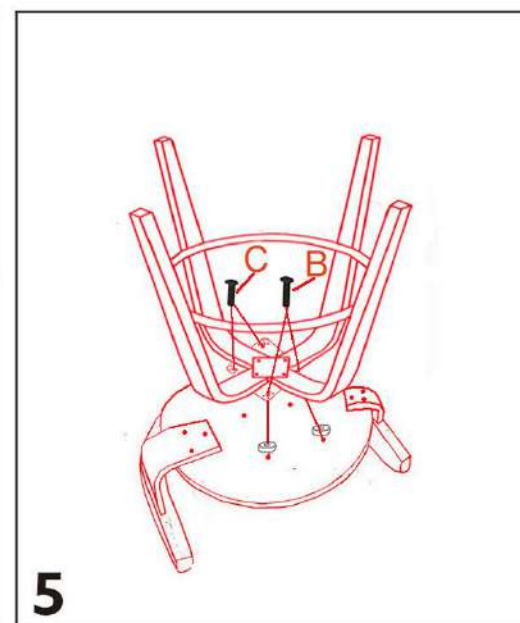
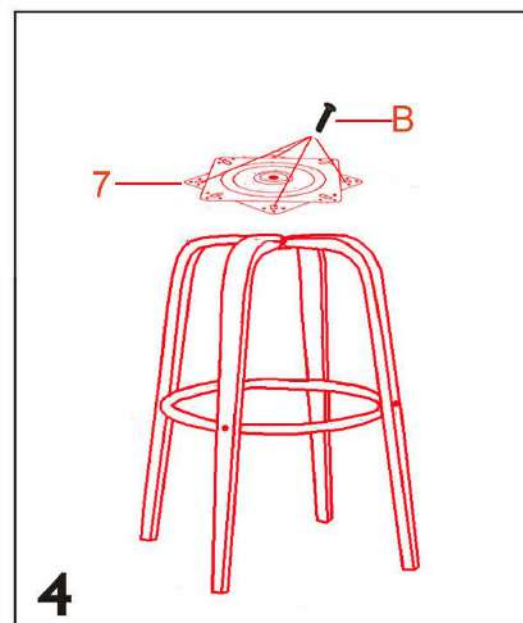
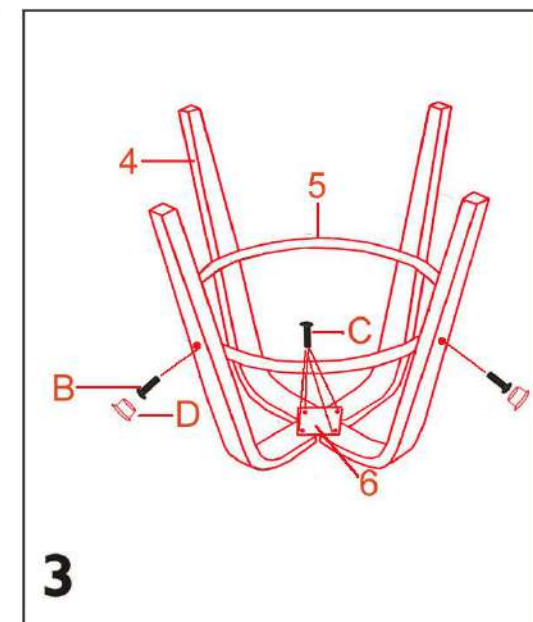
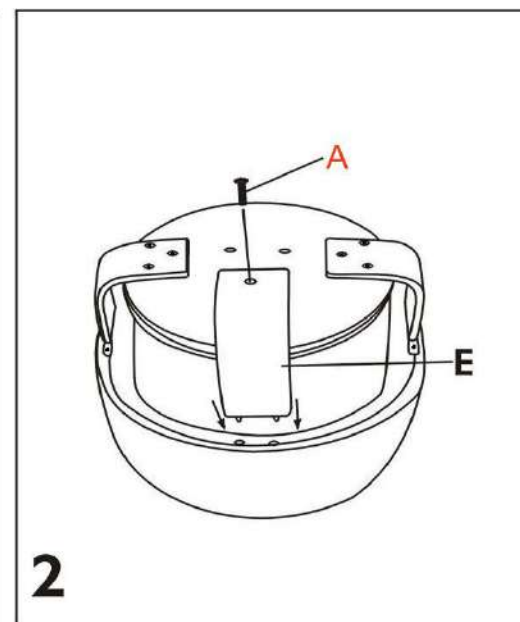
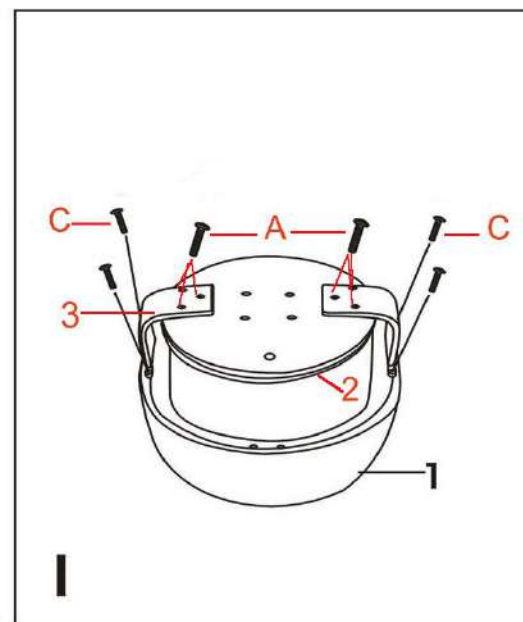


1×1 	6×1 
2×1 	7×1 
3×2  Ex1	A×7 +1EXT  M6×25 B×10 +1EXT  M6×25
4×4 	C×10 +1EXT  M6×20 D×4 
5×1 	F×2  20×8×5 G×1 



Noted:1、 On step1 lightly tighten the 10 screw.On step2 you can tighten all screw.

2、 On step3 lightly tighten the screw C, On step4 tighten all screw.