


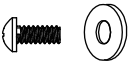

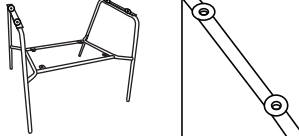



# Assembly Instruction

①*1pc		A*4+1EXT	 M6*20MM+6MM
②*1pc		B*4+1EXT	 M6*18MM+M6*16*1MM
③*2pcs			
④*1pc		H*1	 M6

