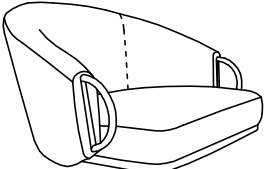
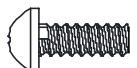
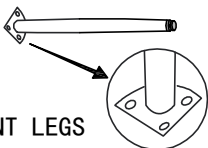

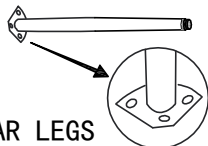
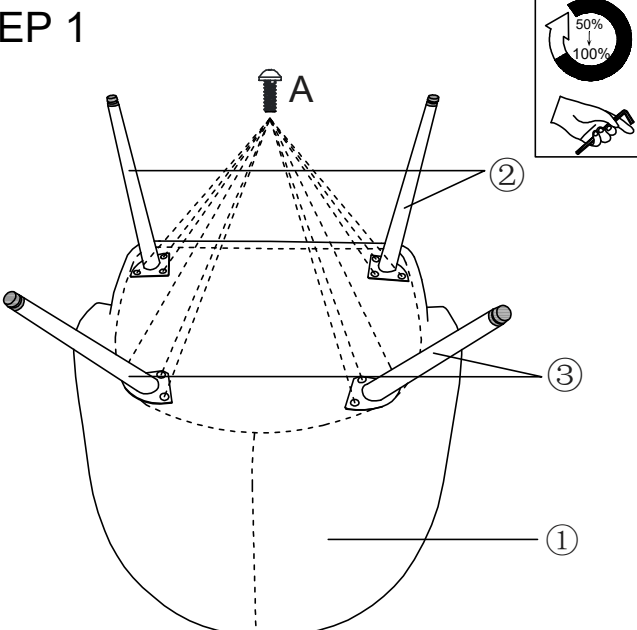
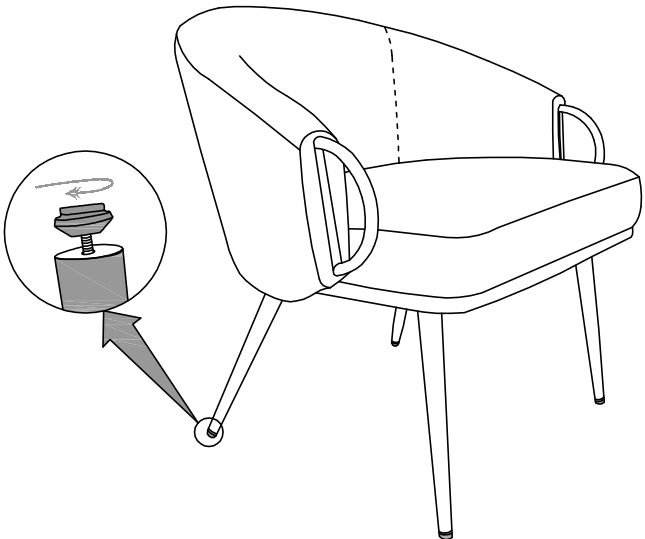


# Assembly Instruction

①*1pc		A*12+1EXT	 M6*20MM
②*2pcs	 FRONT LEGS	G*1	 M6
③*2pcs	 REAR LEGS		

<p>STEP 1</p>  <p>50% 100%</p>	<p>STEP 2</p> 
--	---