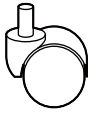



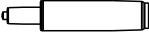

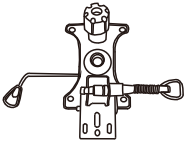


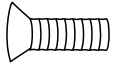
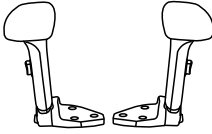

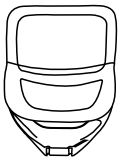
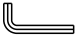



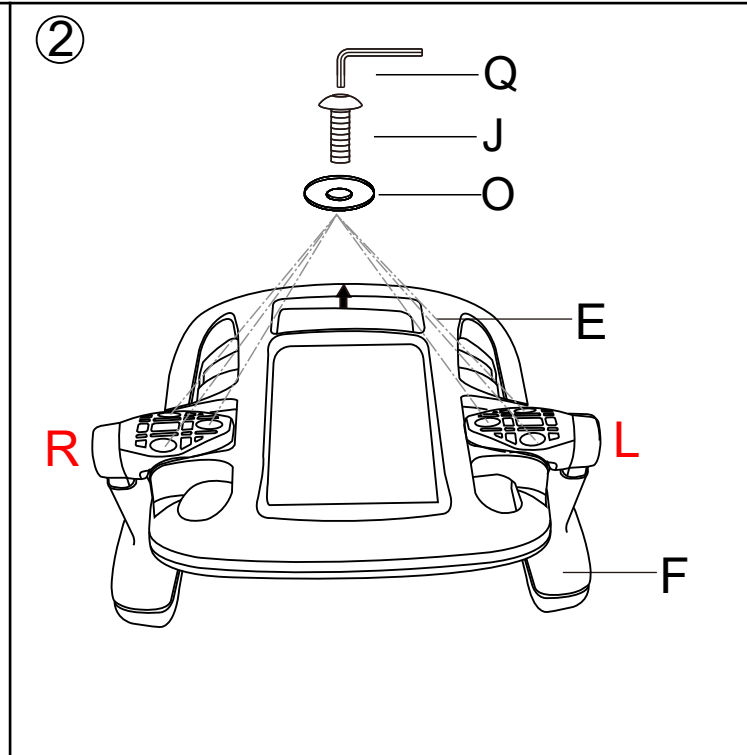
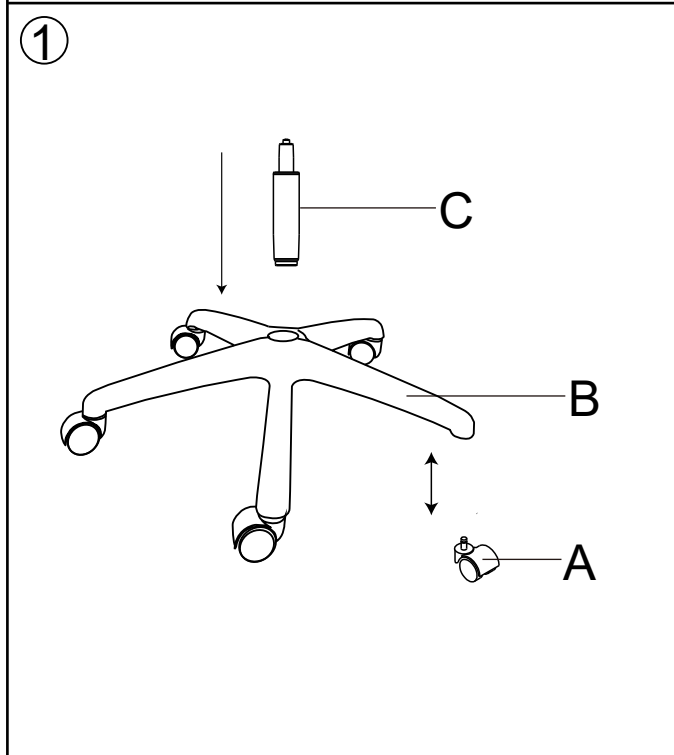
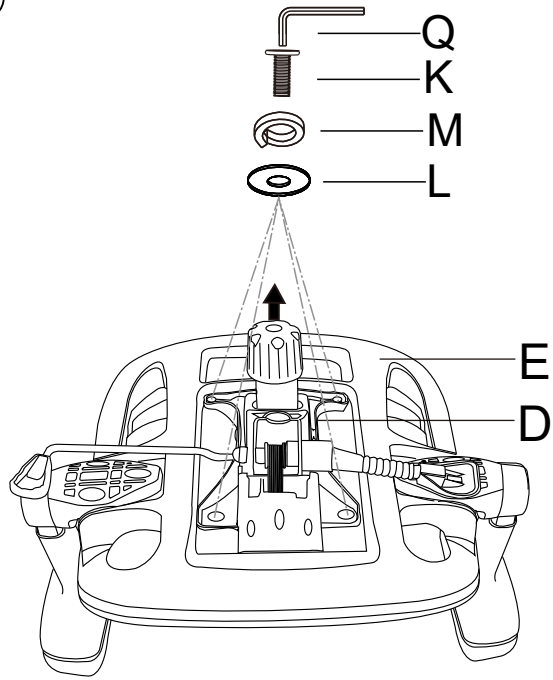


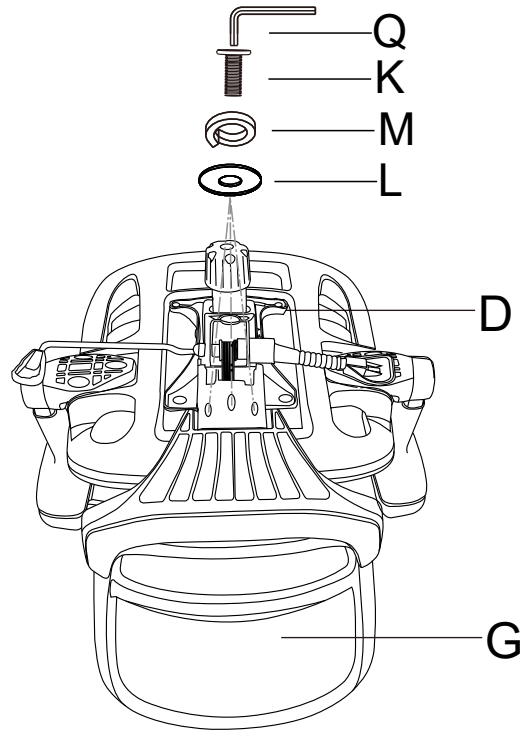
Ax5 	Jx6  M6*35MM
Bx1 	Kx7  M8*25MM
Cx1 	Lx7  M8*22*1.5MM
Dx1 	Mx7  M8
Ex1 	Nx2  M6*40MM
Fx2 	Ox6  M6*15*1MM
Gx1 	Px1  M4
Hx1 	Qx1  M5
	Rx1 



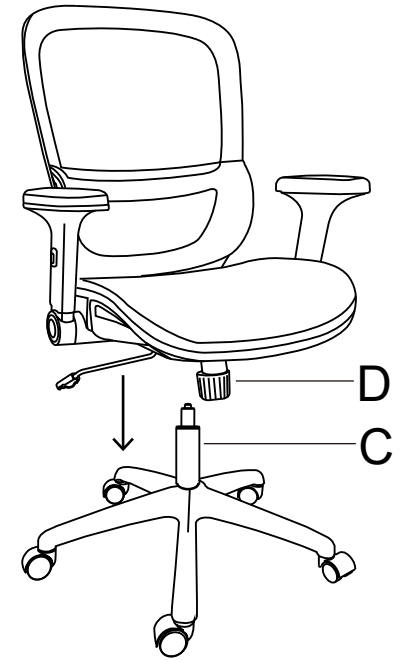
③



④



⑤



⑥

