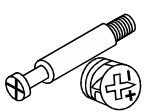

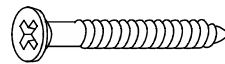
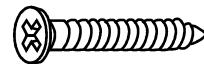


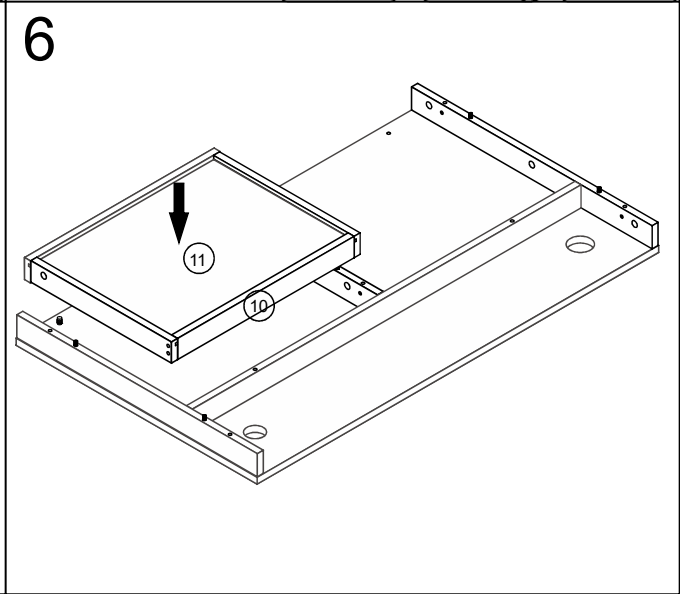
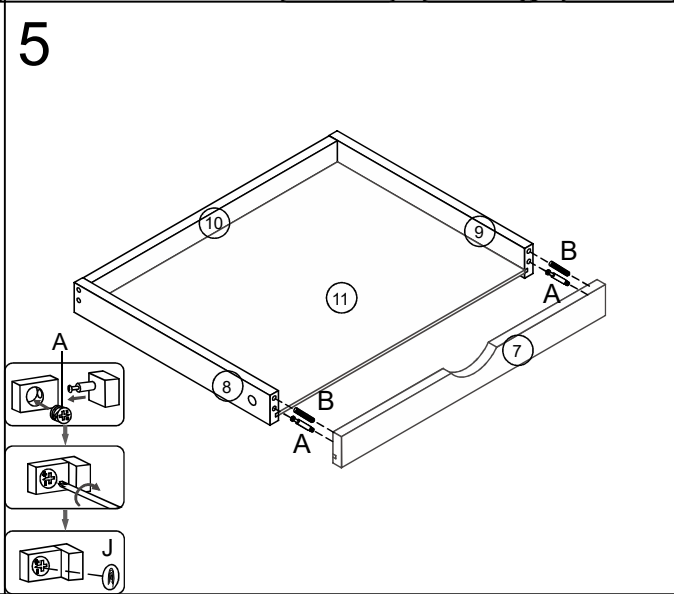
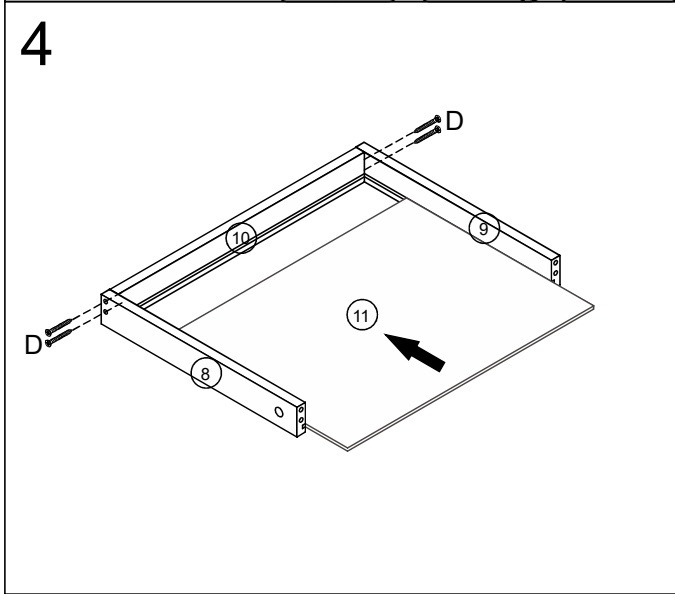
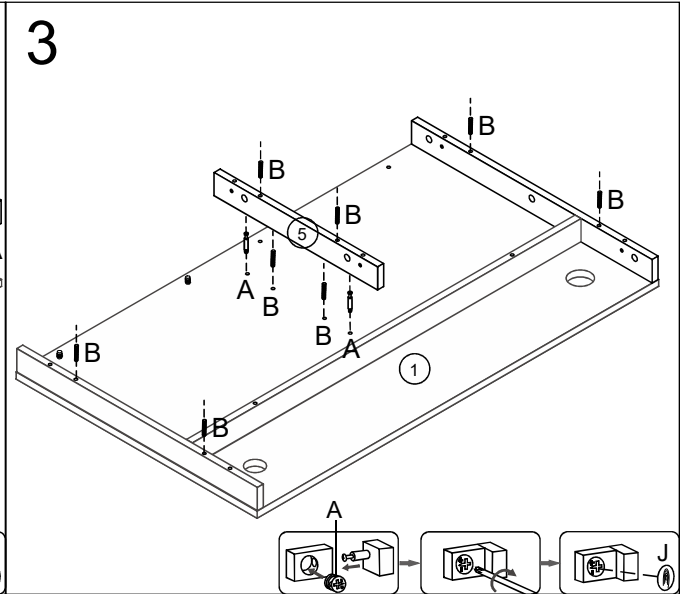
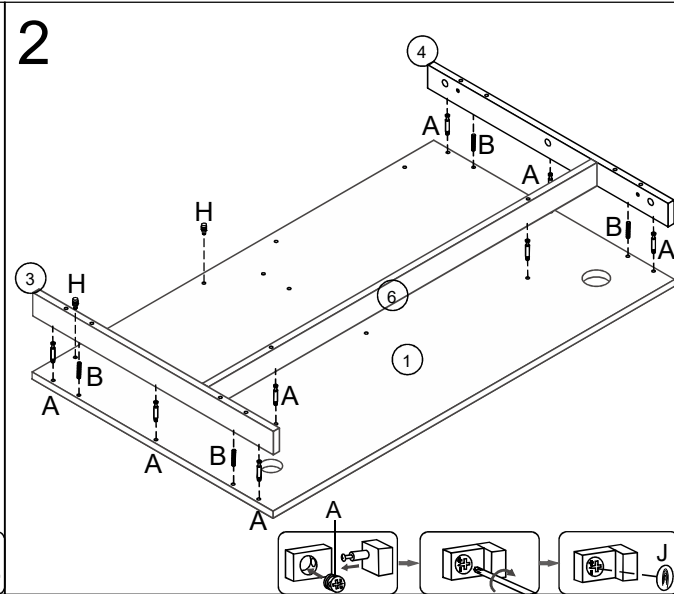
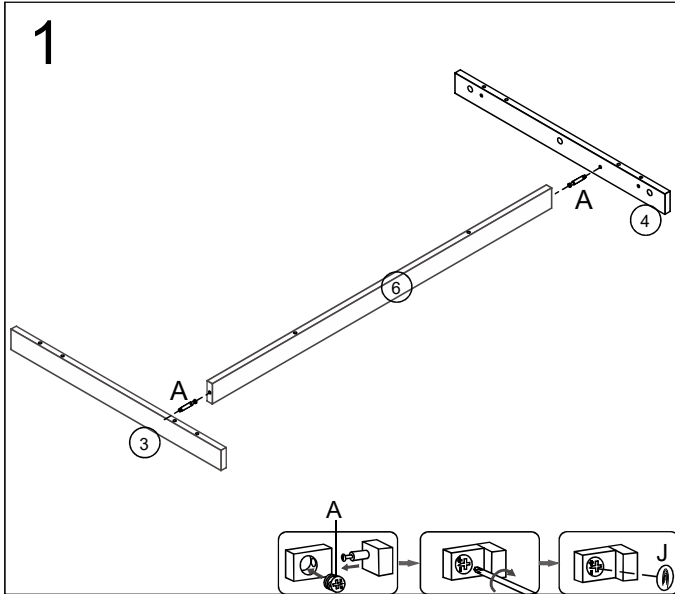
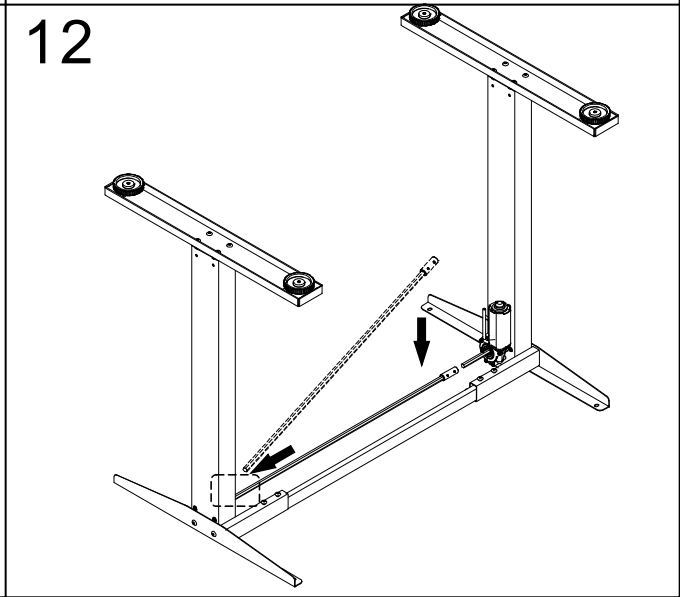
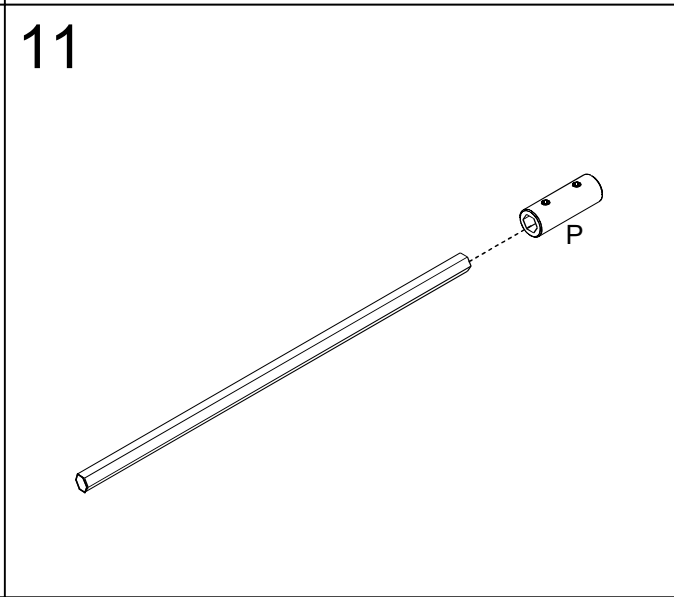
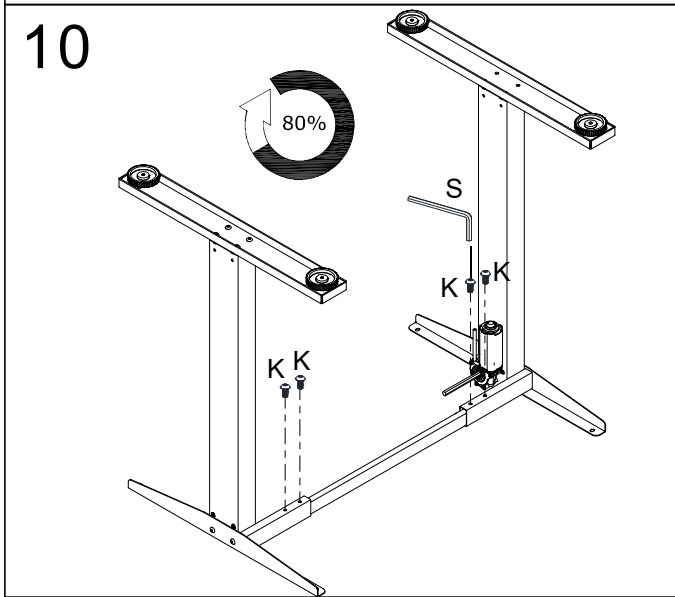
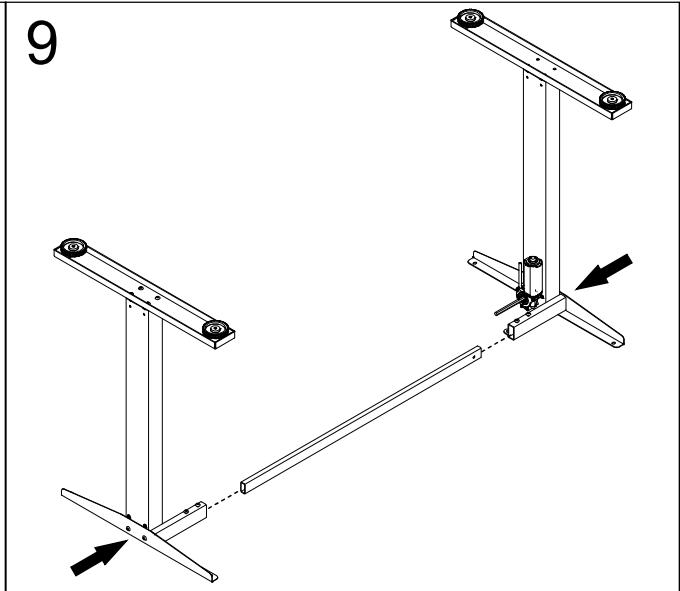
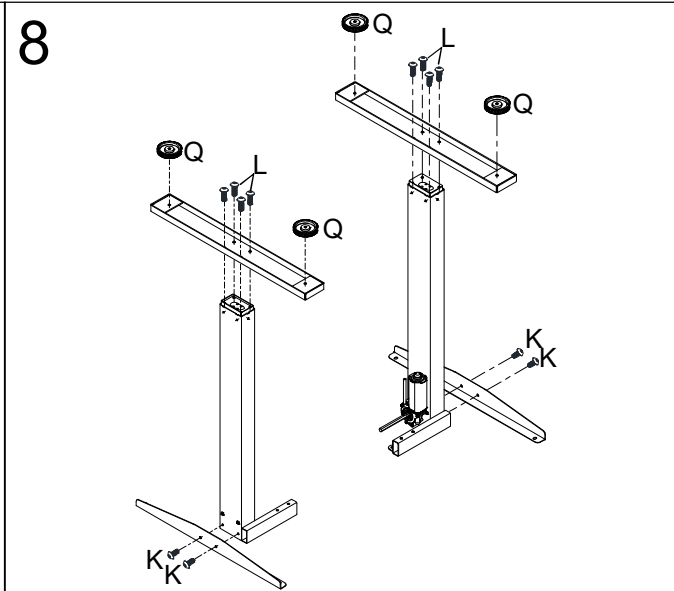
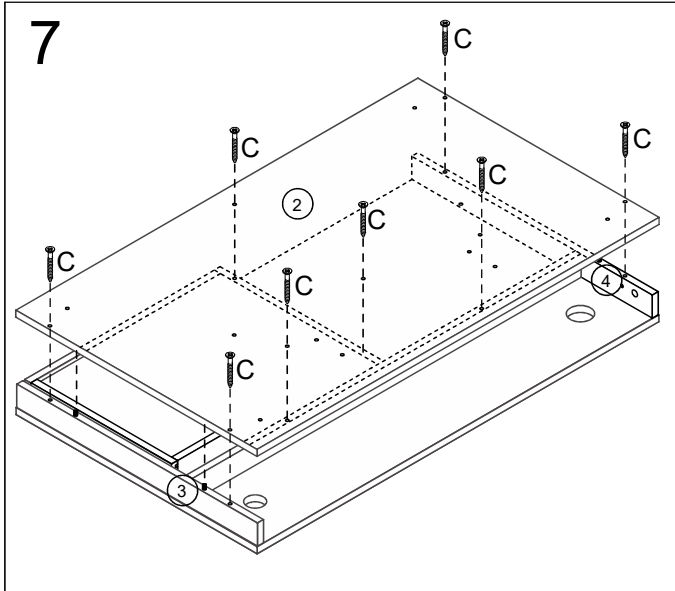
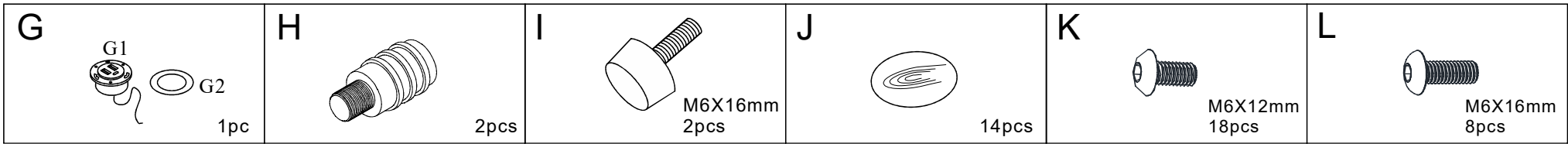





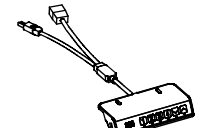
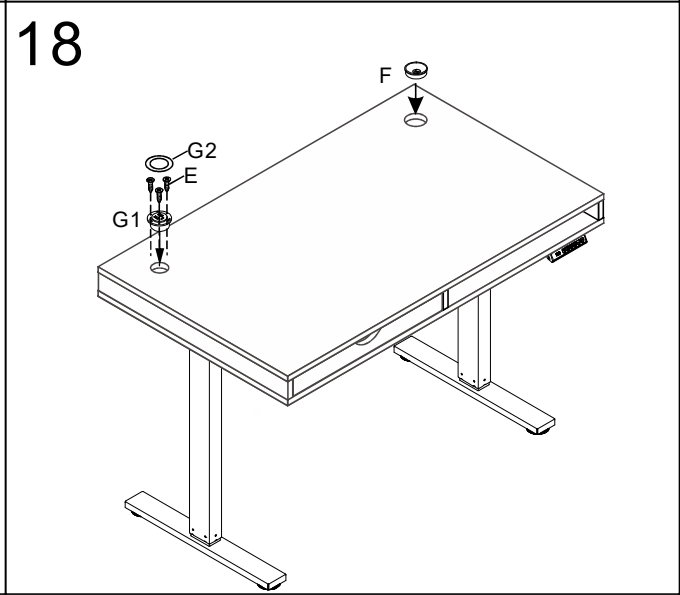
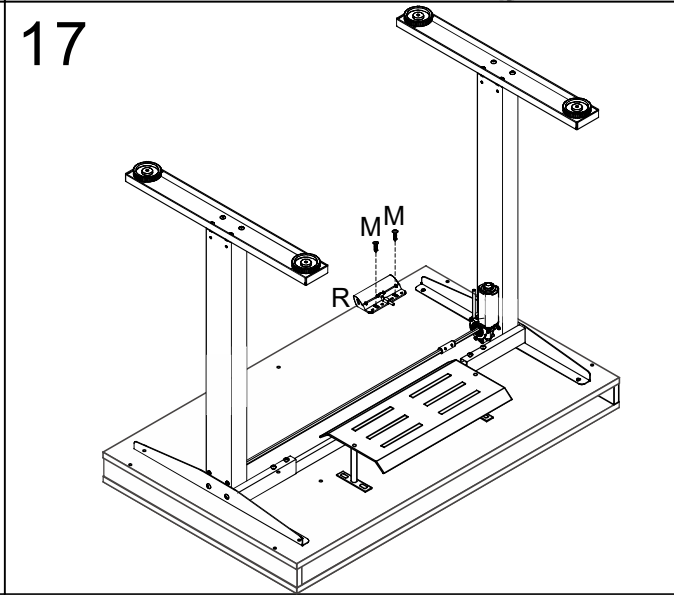
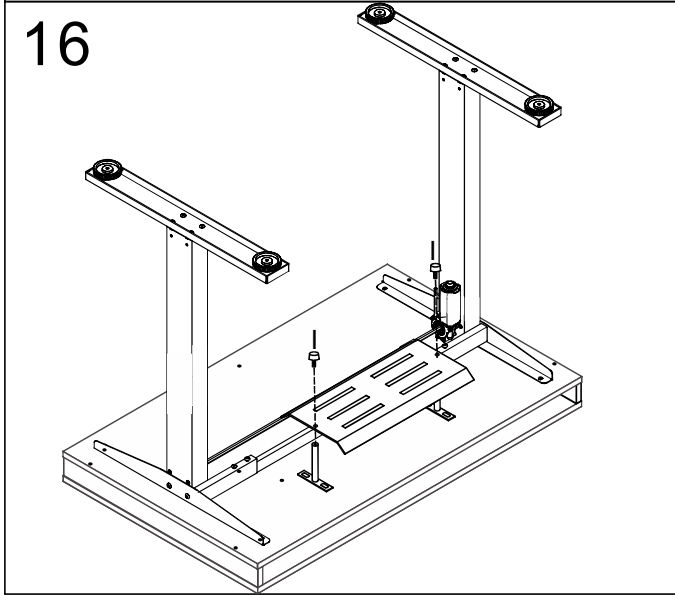
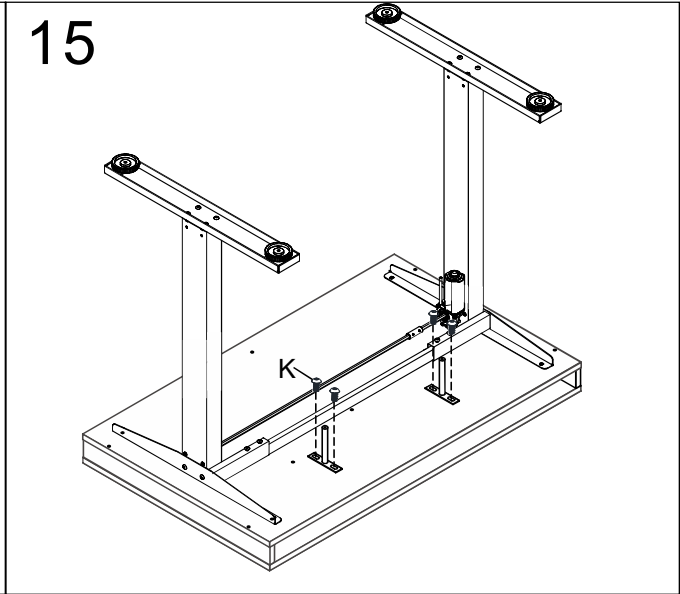
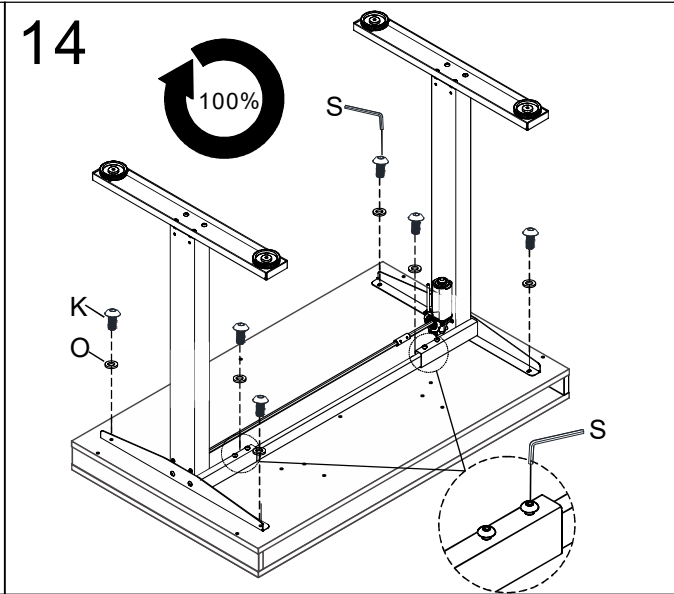
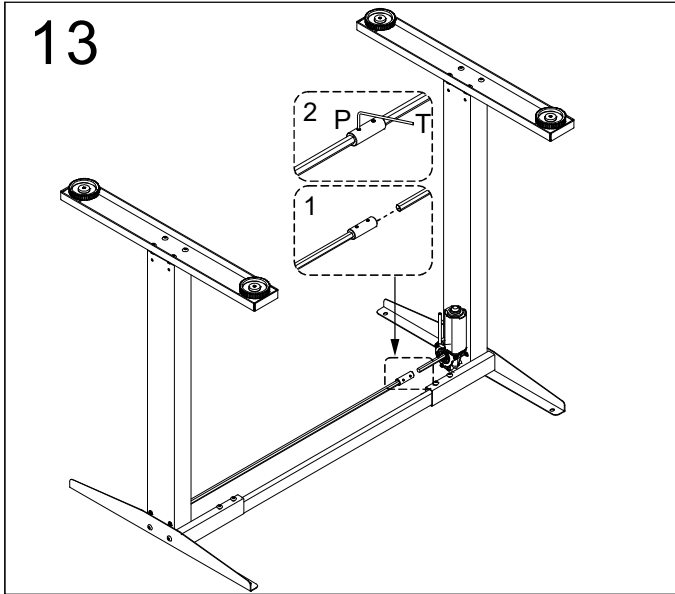


<p><b>A</b></p>  <p>14pcs</p>	<p><b>B</b></p>  <p>8X30mm 14pcs</p>	<p><b>C</b></p>  <p>ST5X50mm 8pcs</p>	<p><b>D</b></p>  <p>ST4X35mm 4pcs</p>	<p><b>E</b></p>  <p>ST3X12mm 3pcs</p>	<p><b>F</b></p>  <p>1pc</p>
----------------------------------------------------------------------------------------------------------------	---------------------------------------------------------------------------------------------------------------------------	-----------------------------------------------------------------------------------------------------------------------------	------------------------------------------------------------------------------------------------------------------------------	------------------------------------------------------------------------------------------------------------------------------	----------------------------------------------------------------------------------------------------------------





<p><b>M</b></p>  <p>ST4X16mm 5pcs</p>	<p><b>N</b></p>  <p>3pcs</p>	<p><b>O</b></p>  <p>6pcs</p>	<p><b>P</b></p>  <p>1pc</p>	<p><b>Q</b></p>  <p>4pcs</p>	<p><b>R</b></p>  <p>1pc</p>
----------------------------------------------------------------------------------------------------------------------------	---------------------------------------------------------------------------------------------------------------	----------------------------------------------------------------------------------------------------------------	----------------------------------------------------------------------------------------------------------------	-----------------------------------------------------------------------------------------------------------------	----------------------------------------------------------------------------------------------------------------



S



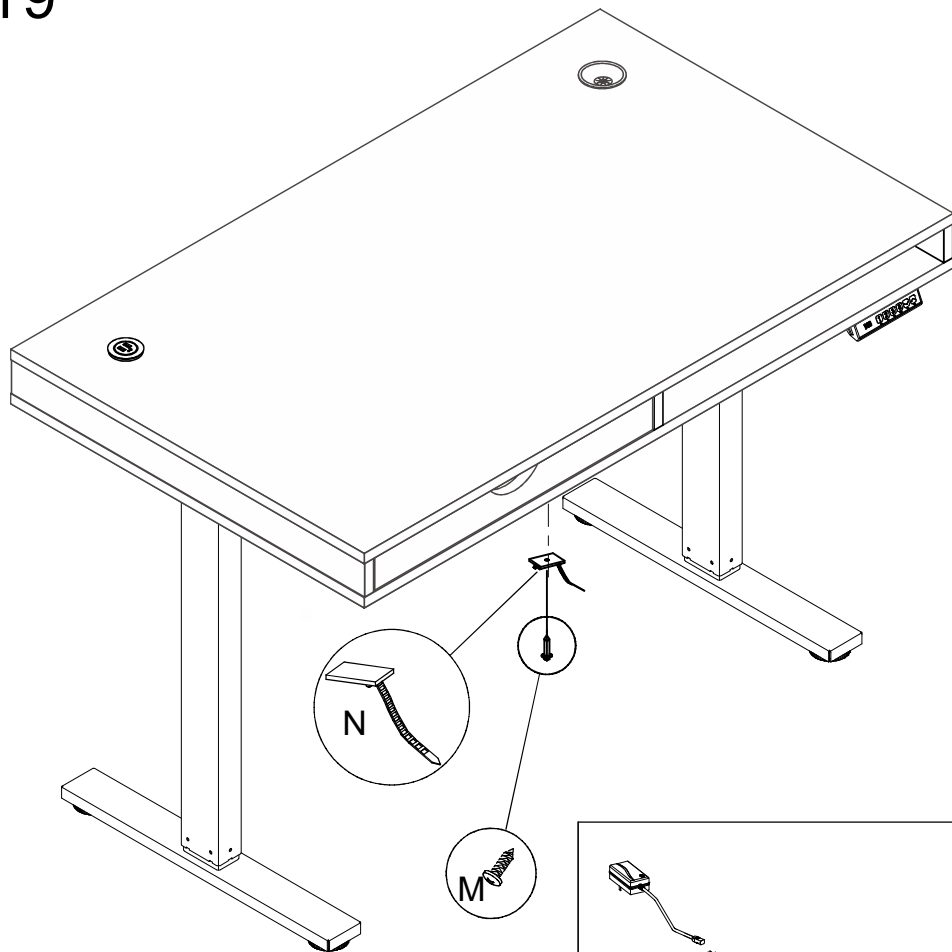
4mm  
1pc

T



2mm  
1pc

19



20

