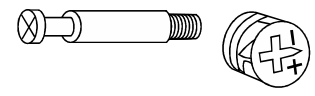
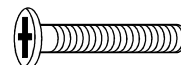

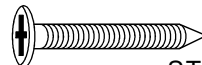
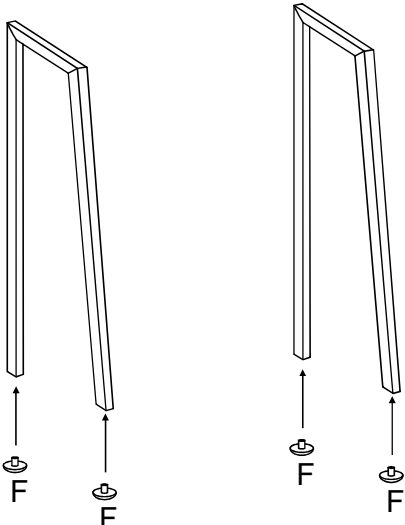
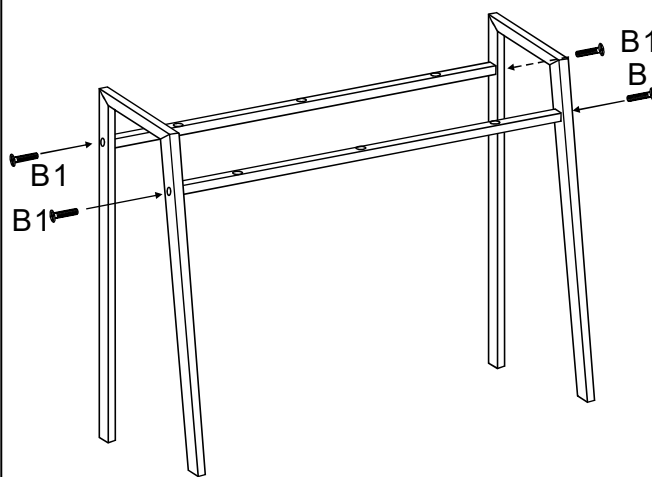


<p>A</p>  <p>22pcs</p>	<p>B1</p>  <p>M6X40mm 4pcs</p>	<p>B2</p>  <p>M6X30mm 6pcs</p>	<p>C</p>  <p>ST5X50mm 18pcs</p>
--	--	--	---

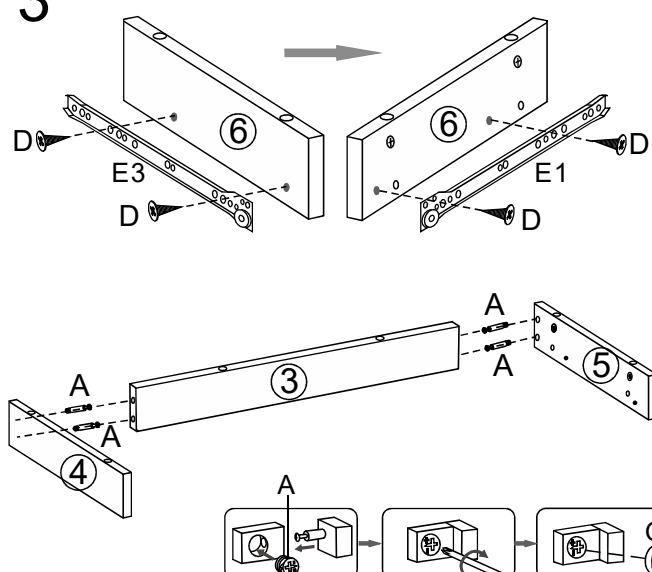
1



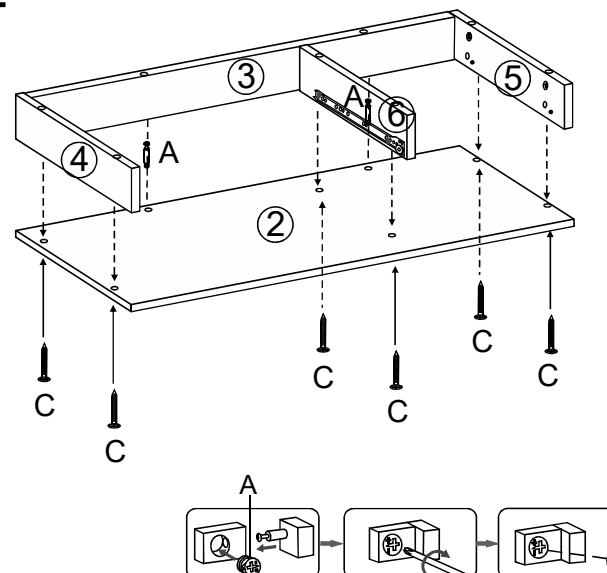
2



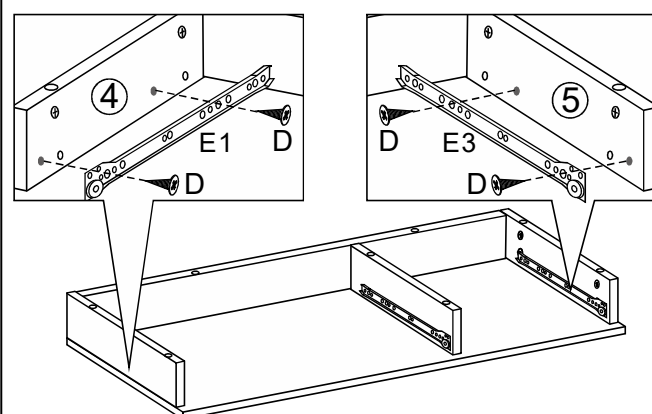
3



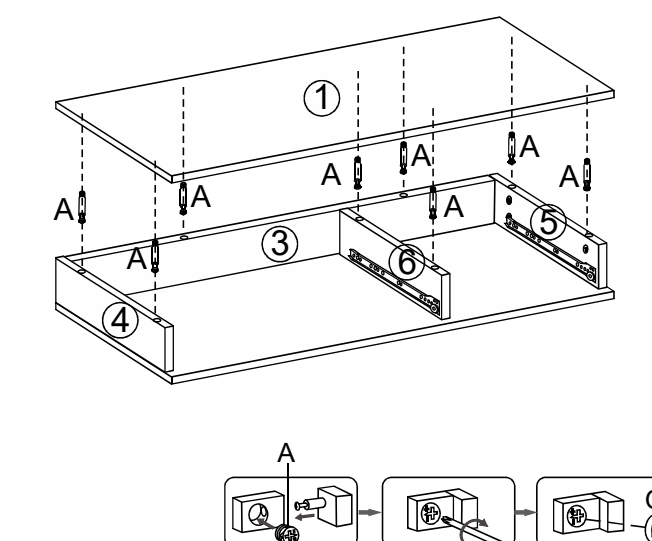
4



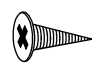
5



6

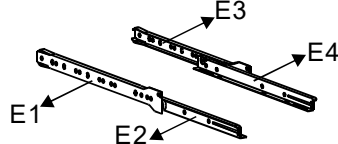


D




ST3. 5X12mm
16pcs

E




E1 E2 E3 E4
2pcs

F



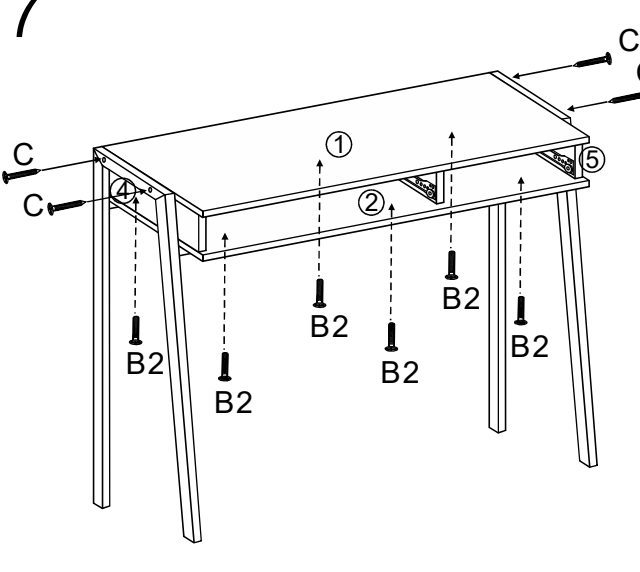
4pcs

G



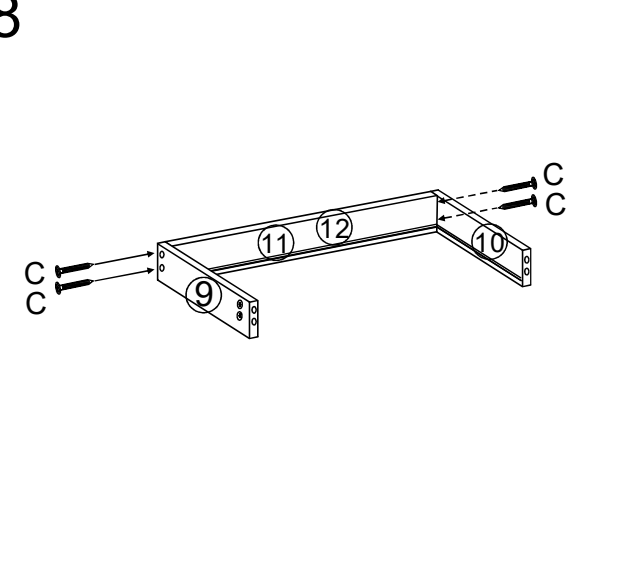
22pcs

7



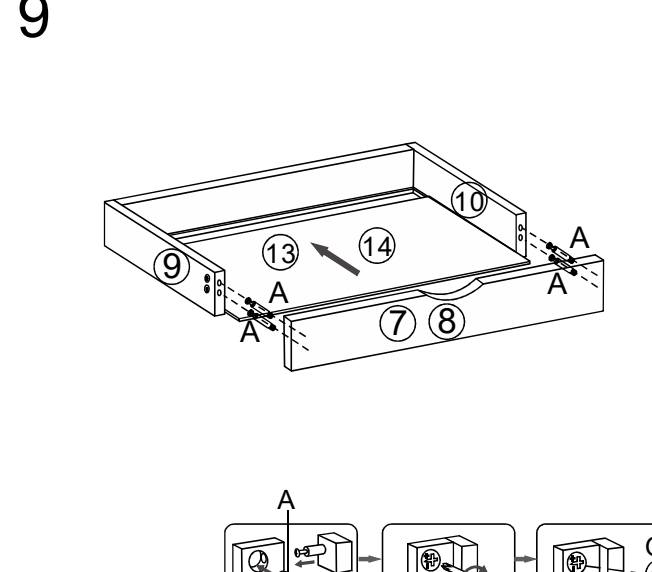
C C C C
B2 B2 B2 B2
① ② ④ ⑤

8



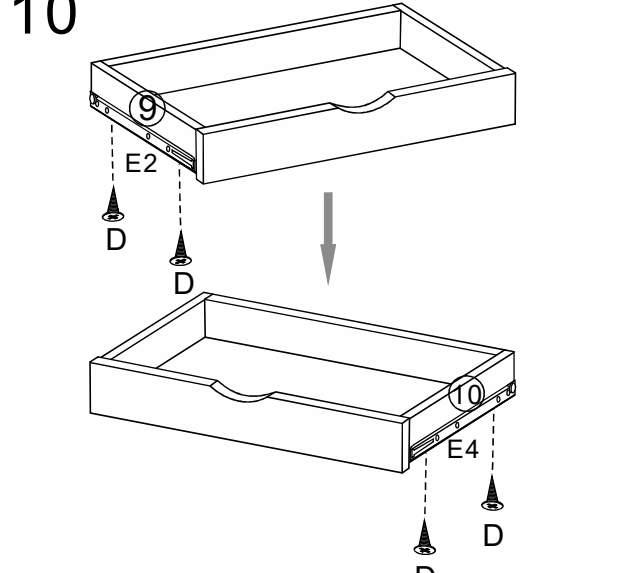
C C C C
⑨ ⑩ ⑪ ⑫

9



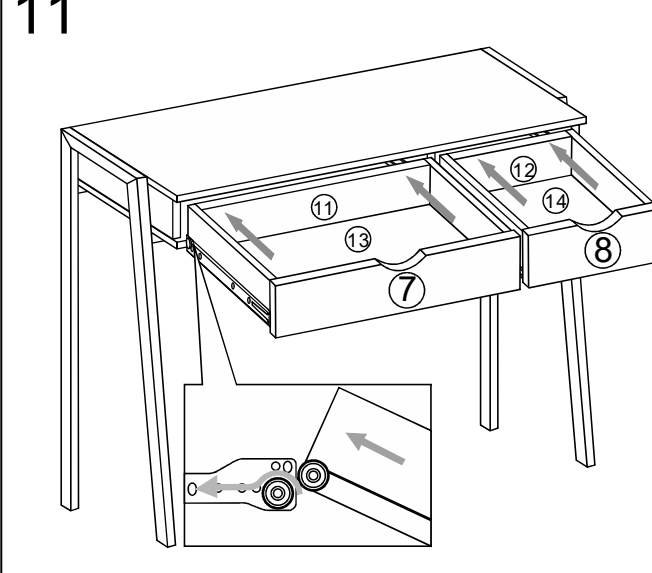
A A A A
⑦ ⑧ ⑨ ⑩ ⑬ ⑭

10



E2 E4
D D D D
⑨ ⑩

11



⑦ ⑧ ⑪ ⑫ ⑬ ⑭

12

