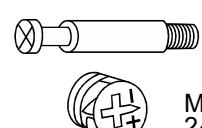
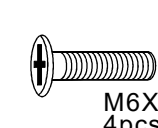
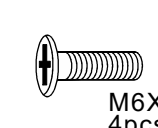

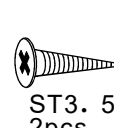
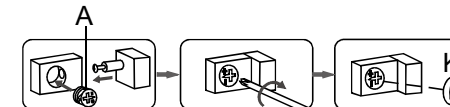
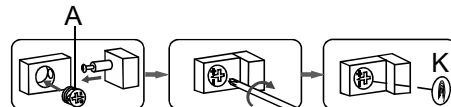
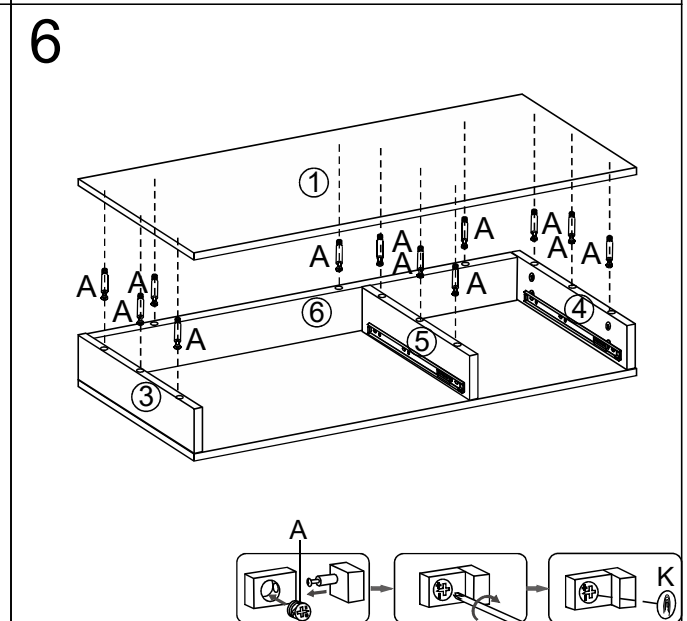
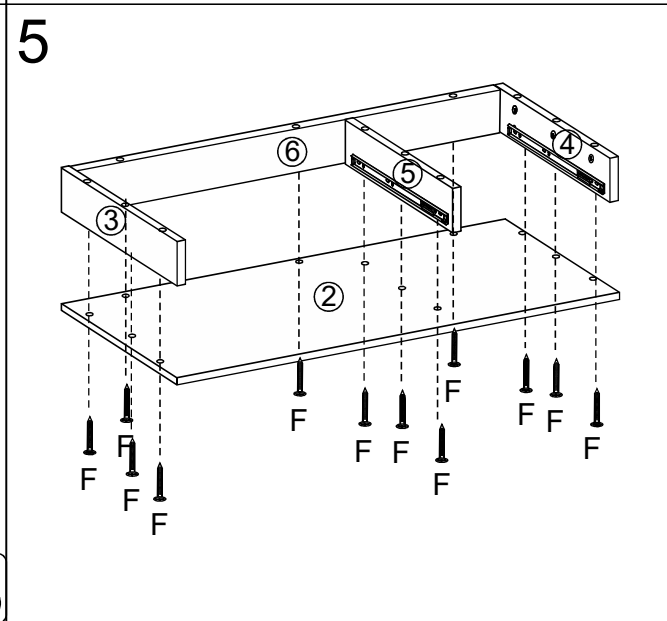
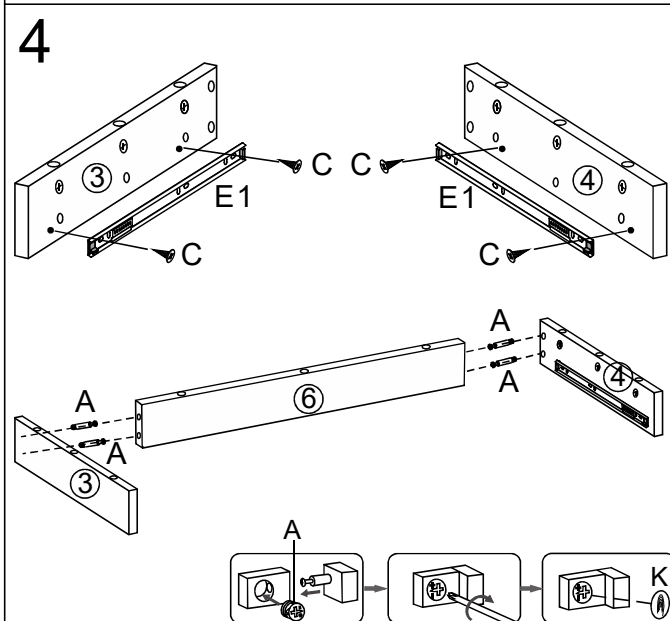
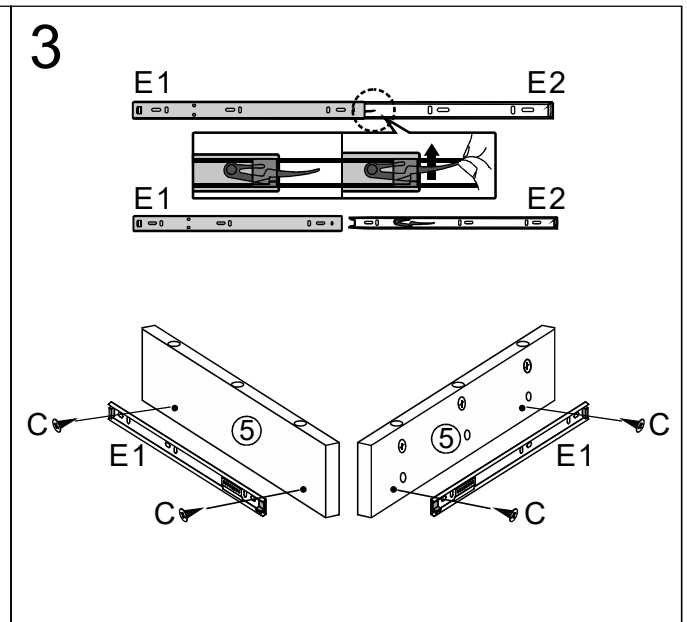
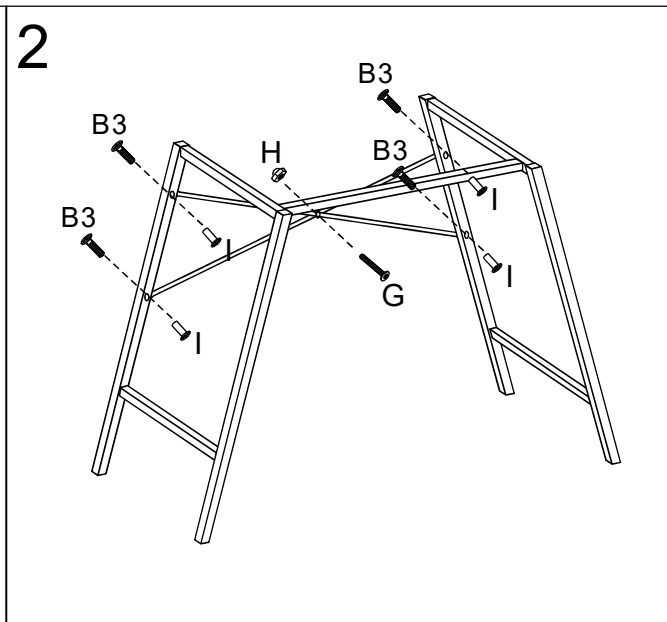
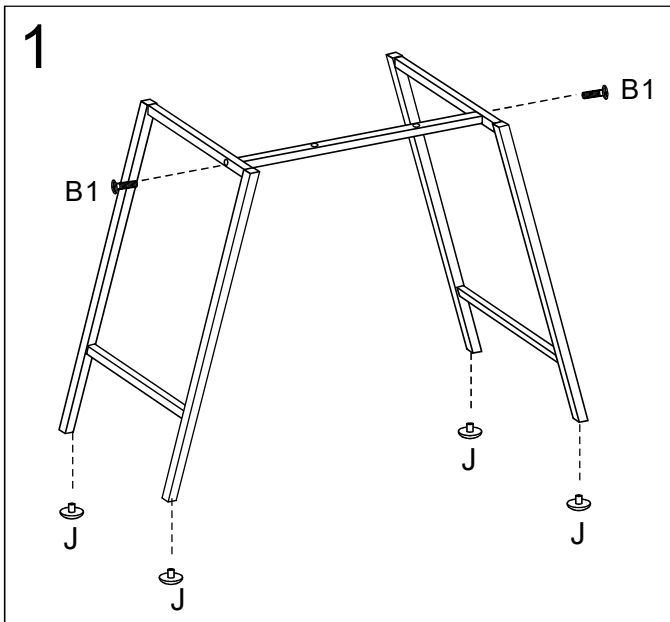
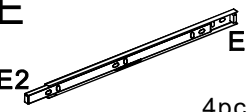
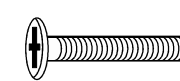


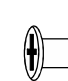




<p>A</p>  <p>M6mm 24pcs</p>	<p>B1</p>  <p>M6X30mm 2pcs</p>	<p>B2</p>  <p>M6X25mm 4pcs</p>	<p>B3</p>  <p>M6X20mm 4pcs</p>	<p>C</p>  <p>ST3. 5X12mm 16pcs</p>	<p>D</p>  <p>ST3. 5X25mm 2pcs</p>
--	---	--	---	---	--



<p>E</p>  <p>E1 E2 4pcs</p>	<p>F</p>  <p>ST5X50mm 20pcs</p>	<p>G</p>  <p>M4X25mm 1pc</p>	<p>H</p>  <p>M4mm 1pc</p>	<p>I</p>  <p>M6mm 4pcs</p>	<p>J</p>  <p>4pcs</p>	<p>K</p>  <p>24pcs</p>
---	---	--	---	--	---	--

